

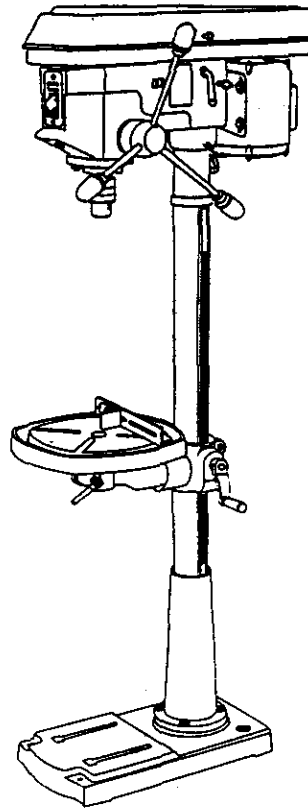
# Operator's Manual

# CRAFTSMAN®

1 HP (Maximum Developed)  
12 Speeds (250-3100 R.P.M.)  
5/8 Inch Chuck

## 15-INCH DRILL PRESS

Model No.  
137.229151



### CAUTION:

Before using this Drill Press,  
read this manual and follow  
all its Safety Rules and  
Operating Instructions

- Safety Instructions
- Installation
- Operation
- Maintenance
- Parts List
- Español

**Customer Help Line**  
**1-800-843-1682**

Sears, Roebuck and Co., Hoffman Estates, IL 60179 USA

Visit our Craftsman website: [www.sears.com/craftsman](http://www.sears.com/craftsman)

Part No. 137229151001

## TABLE OF CONTENTS

SECTION	PAGE
Warranty .....	2
Product Specifications.....	2
Safety Instructions .....	3
Accessories and Attachments .....	6
Carton Contents .....	6
Know Your Drill Press .....	8
Glossary of Terms .....	9
Assembly and Adjustment .....	10
Operation .....	15
Maintenance .....	20
Troubleshooting Guide .....	21
Parts .....	22
Español .....	25

## WARRANTY

### FULL ONE YEAR WARRANTY

If this Drill Press fails due to a defect in material or workmanship within one year of date of purchase, Sears will at its option repair or replace it free of charge.

Return this Drill Press to a Sears Service Center for repair, or to place of purchase for replacement.

This warranty gives you specific legal rights, and you may also have other rights which may vary from state to state.

Sears, Roebuck and Co., Dept. 817 WA, Hoffman Estates, IL 60179

### ▲ WARNING

Some dust created by power sanding, sawing, grinding, drilling and other construction activities contains chemicals known to the state of California to cause cancer, birth defects or other reproductive harm. Some examples of these chemicals are:

- Lead from lead-based paints
- Crystalline silica from bricks, cement and other masonry products
- Arsenic and chromium from chemically treated lumber

Your risk from these exposures varies, depending on how often you do this type of work. To reduce your exposure to these chemicals, work in a well-ventilated area and work with approved safety equipment such as dust masks that are specially designed to filter out microscopic particles.

## PRODUCT SPECIFICATIONS

Chuck Size .....	5/8"
Speed .....	12 (250 ~ 3,100 RPM)
Motor.....	120V, 60 Hz, 8 Amps
Horsepower.....	1 HP (Max. Developed)
Built-in Light .....	60 Watt (Maximum) (Bulb not included)
Table Size .....	13-1/4" x 13-1/4"
Table Tilt .....	45° Right or Left
Spindle Travel.....	3-1/8"
Throat .....	7-1/2"
Base Size .....	11" x 20-3/8"
Height .....	63-1/4"

### ▲ WARNING

To avoid electrical hazards, fire hazards, or damage to the tool, use proper circuit protection.

Your drill press is wired at the factory for 120V operation. Connect to a 120V, 15 AMP branch circuit and use a 15 AMP time delay fuse or circuit breaker. To avoid shock or fire, replace power cord immediately if it is worn, cut or damaged in any way.

# SAFETY

## GENERAL SAFETY INSTRUCTIONS

### BEFORE USING THE DRILL PRESS

Safety is a combination of common sense, staying alert and knowing how to use your drill press.

#### **▲ WARNING**

To avoid mistakes that could cause serious injury, do not plug the drill press in until you have read and understood the following:

1. **READ** and become familiar with this entire instruction manual. **LEARN** the tool's applications, limitations, and possible hazards.
2. **KEEP GUARDS IN PLACE** and in working order.
3. **DON'T USE IN A DANGEROUS ENVIRONMENT.** Don't use power tools in damp or wet locations, or expose them to rain. Keep work area well lighted.
4. **DO NOT** use power tools in the presence of flammable liquids or gases.
5. **KEEP WORK AREA CLEAN.** Cluttered areas and benches invite accidents.
6. **KEEP CHILDREN AWAY.** All visitors should be kept at a safe distance from the work area.
7. **DON'T FORCE THE TOOL.** It will do the job better and safer at the rate for which it was designed.
8. **USE THE RIGHT TOOL.** Don't force tool or the attachment to do a job for which it was not designed.
9. **WEAR PROPER APPAREL. DO NOT** wear loose clothing, gloves, neckties, rings, bracelets, or other jewelry which may get caught in moving parts. Nonslip footwear is recommended. Wear protective hair covering to contain long hair.
10. **WEAR A FACE MASK OR DUST MASK.** Drilling operation produces dust.
11. **DISCONNECT TOOLS** before servicing, and when changing accessories, such as blades, bits, cutters, and the like.
12. **REDUCE THE RISK OF UNINTENTIONAL STARTING.** Make sure the switch is in "OFF" position before plugging in.
13. **USE RECOMMENDED ACCESSORIES.** Consult the owner's manual for the recommended accessories. The use of improper accessories may cause risk of injury to persons.
14. **REMOVE ADJUSTING KEYS AND WRENCHES.** Form the habit of checking to see that keys and adjusting wrenches are removed from the tool before turning "ON".
15. **NEVER LEAVE TOOL RUNNING UNATTENDED. TURN THE POWER "OFF".** Don't leave the tool until it comes to a complete stop.
16. **NEVER STAND ON TOOL.** Serious injury could occur if the tool is tipped or if the cutting tool is unintentionally contacted.
17. **DON'T OVERREACH.** Keep proper footing and balance at all times.
18. **MAINTAIN TOOLS WITH CARE.** Keep tools sharp and clean for best and safest performance. Follow instructions for lubricating and changing accessories.
19. **CHECK FOR DAMAGED PARTS.** Before further use of the tool, a guard or other part that is damaged should be carefully checked to determine that it will operate properly and perform its intended function. Check for alignment of moving parts, binding of moving parts, breakage of parts, mounting, and any other conditions that may affect its operation. A guard or other part that is damaged should be properly repaired or replaced.
20. **MAKE WORKSHOP KID PROOF** with padlocks, master switches, or by removing starter keys.
21. **DO NOT** operate the tool if you are under the influence of any drugs, alcohol or medication that could affect your ability to use the tool properly.
22. Dust generated from certain materials can be hazardous to your health. Always operate the drill press in a well-ventilated area and provide for proper dust removal. Use dust collection systems whenever possible.
23. **ALWAYS WEAR EYE PROTECTION.** Any drill press can throw foreign objects into the eyes which could cause permanent eye damage. **ALWAYS** wear Safety Goggles (not glasses) that comply with ANSI safety standard Z87.1. Everyday eyeglasses have only impact-resistant lenses. They **ARE NOT** safety glasses. Safety Goggles are available at Sears. **NOTE:** Glasses or goggles not in compliance with ANSI Z87.1 could seriously hurt you when they break.



## SAVE THESE INSTRUCTIONS

# SPECIFIC SAFETY INSTRUCTIONS FOR THE DRILL PRESS

## **⚠ WARNING**

For your own safety, do not try to use your drill press or plug it in until it is completely assembled and installed according to the instructions, and until you have read and understood this instruction manual:

- 1. YOUR DRILL PRESS MUST BE BOLTED** securely to a workbench. In addition, if there is any tendency for your drill press to move during certain operations, bolt the workbench to the floor.
- 2. THIS DRILL PRESS** is intended for use in dry conditions, indoor use only.
- 3. WEAR EYE PROTECTION.** USE face or dust mask along with safety goggles if drilling operation is dusty. USE ear protectors, especially during extended periods of operation.
- 4. DO NOT** wear gloves, neckties, or loose clothing.
- 5. DO NOT** try to drill material too small to be securely held.
- 6. ALWAYS** keep hands out of the path of a drill bit. Avoid awkward hand positions where a sudden slip could cause your hand to move into the drill bit.
- 7. DO NOT** install or use any drill bit that exceeds 175 mm (7") in length or extends 150 mm (6") below the chuck jaws. They can suddenly bend outward or break.
- 8. DO NOT USE** wire wheels, router bits, shaper cutters, circle (fly) cutters, or rotary planers on this drill press.
- 9. WHEN** cutting a large piece of material make sure it is fully supported at the table height.
- 10. DO NOT** perform any operation freehand. ALWAYS hold the workpiece firmly against the table so it will not rock or twist. Use clamps or a vise for unstable workpiece.
- 11. MAKE SURE** there are no nails or foreign objects in the part of the workpiece to be drilled.
- 12. CLAMP WORKPIECE OR BRACE** against the left side of the column to prevent rotation. If it is too short or the table is tilted, clamp solidly to the table and use the fence provided.
- 13. IF THE WORKPIECE** overhangs the table such that it will fall or tip if not held, clamp it to the table or provide auxiliary support.
- 14. SECURE WORK.** Use clamps or vise to hold the work when practical. It's safer than using your hand and it frees both hands to operate tool.
- 15. WHEN** using a drill press vise, always fasten to the table.
- 16. MAKE SURE** all clamps and locks are firmly tightened before drilling.
- 17. SECURELY LOCK THE HEAD** and table support to the column, and the table to the table support before operating the drill press.
- 18. NEVER** turn your drill press on before clearing the table of all objects (tools, scraps of wood, etc.)
- 19. BEFORE STARTING** the operation, jog the motor switch to make sure the drill bit does not wobble or vibrate.
- 20. LET THE SPINDLE REACH FULL SPEED** before starting to drill. If your drill press makes an unfamiliar noise or if it vibrates excessively, stop immediately, turn the drill press off and unplug. Do not restart until the problem is corrected.
- 21. DO NOT** perform layout assembly or set up work on the table while the drill press is in operation.
- 22. USE RECOMMENDED SPEED** for drill accessory and workpiece material. SEE INSTRUCTIONS that come with the accessory.
- 23. WHEN DRILLING** large diameter holes, clamp the workpiece firmly to the table. Otherwise, the bit may grab and spin the workpiece at high speed. **DO NOT USE** fly cutters or multiple-part hole cutters, as they can come apart or become unbalanced in use.
- 24. MAKE SURE** the spindle has come to a complete stop before touching the workpiece.
- 25. TO AVOID INJURY** from accidental starting, always turn the switch "OFF" and unplug the drill press before installing or removing any accessory or attachment or making any adjustment.
- 26. KEEP GUARDS IN PLACE** and in working order.
- 27. USE ONLY SELF-EJECTING TYPE CHUCK KEY** as provided with the drill press.

**SAVE THESE INSTRUCTIONS**

## GROUNDING INSTRUCTIONS

**IN THE EVENT OF A MALFUNCTION OR BREAKDOWN**, grounding provides a path of least resistance for electric current and reduces the risk of shock. This tool is equipped with an electric cord that has an equipment grounding conductor and grounding plug. The plug **MUST** be plugged into a matching receptacle that is properly installed and grounded in accordance with ALL local codes and ordinances.

**DO NOT MODIFY THE PLUG PROVIDED.** If it will not fit the receptacle, have the proper receptacle installed by a qualified electrician.

**IMPROPER CONNECTION** of the equipment grounding conductor can result in risk of electric shock. The conductor with the green insulation (with or without yellow stripes) is the equipment grounding conductor. If repair or replacement of the electric cord or plug is necessary, **DO NOT** connect the equipment grounding conductor to a live terminal.

**CHECK** with a qualified electrician or service personnel if you do not completely understand the grounding instructions, or if you are not sure the tool is properly grounded.

**USE ONLY 3-WIRE EXTENSION CORDS THAT HAVE 3-PRONG GROUNDING PLUGS AND 3-POLE RECEPTACLE THAT ACCEPT THE TOOL'S PLUG. REPAIR OR REPLACE DAMAGED OR WORN CORD IMMEDIATELY.**

## GUIDELINES FOR EXTENSION CORDS

Make sure your extension cord is in good condition. When using an extension cord, be sure to use one heavy enough to carry the current your product will draw. An undersized cord will cause a drop in line voltage resulting in loss of power and overheating. The table below shows the correct size to use according to cord length and nameplate ampere rating. If in doubt, use the next heavier gauge. The smaller the gauge number, the heavier the cord.

**Be sure your extension cord is properly wired** and in good condition. Always replace a damaged extension cord or have it repaired by a qualified person before using it. Protect your extension cords from sharp objects, excessive heat and damp or wet areas.

Use a separate electrical circuit for your tools. This circuit must not be less than #12 wire and should be protected with a 15 Amp time lag fuse. Before connecting the motor to the power line, make sure the switch is in the OFF position and the electric current is rated the same as the current stamped on the motor nameplate. Running at a lower voltage will damage the motor.

This tool is intended for use on a circuit that has a receptacle like the one illustrated in **FIGURE A**. **FIGURE A** shows a 3-prong electrical plug and receptacle that has a grounding conductor. If a properly grounded receptacle is not available, an adapter (**FIGURE B**) can be used to temporarily connect this plug to a 2-contact ungrounded receptacle. The adapter (**FIGURE B**) has a rigid lug extending from it that **MUST** be connected to a permanent earth ground, such as a properly grounded receptacle box. **THE TEMPORARY ADAPTER SHOULD BE USED ONLY UNTIL A PROPER GROUNDED OUTLET CAN BE INSTALLED BY A QUALIFIED ELECTRICIAN.** The Canadian Electrical Code prohibits the use of adapters.

**CAUTION:** In all cases, make certain the receptacle in question is properly grounded. If you are not sure have a certified electrician check the receptacle.

### ▲ WARNING

This drill press is for indoor use only. Do not expose to rain or use in damp locations.

Fig. A

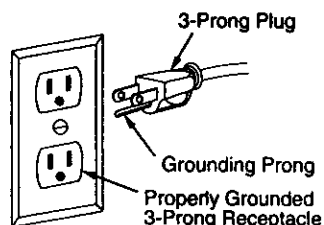
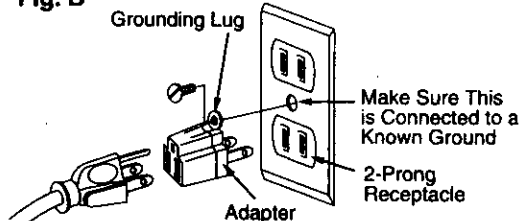


Fig. B



### ▲ WARNING

This tool must be grounded while in use to protect the operator from electrical.

MINIMUM GAUGE FOR EXTENSION CORDS (AWG)					
(When using 120 volts only)					
Ampere	Rating	Total length of cord in feet			
		25'	50'	100'	150'
more than 0	not more than 6	18	16	16	14
6	10	18	16	14	12
10	12	16	16	14	12
12	16	14	12	Not recommended	

**SAVE THESE INSTRUCTIONS**

## ACCESSORIES AND ATTACHMENTS

### RECOMMENDED ACCESSORIES

#### **▲ WARNING**

Use only accessories recommended for this drill press. Follow instructions that accompany accessories. Use of improper accessories may cause hazards.

Visit your Sears Hardware Department or see the Craftsman Power and Hand Tools Catalog for the following accessories:

- Drill bits
- Hold-Down and Guide
- Drill press Vises
- Clamping kit

#### **▲ WARNING**

Use only accessories designed for this drill press to avoid injury from thrown broken parts or workpieces.

Sears may recommend other accessories not listed in this manual. See your nearest Sears store or Power and Hand Tool Catalog for other accessories.

Do not use any accessory unless you have completely read the instruction or operator's manual for that accessory.

## CARTON CONTENTS

### UNPACKING AND CHECKING CONTENTS

#### **▲ WARNING**

If any part is missing or damaged, do not plug the drill press in until the missing or damaged part is replaced, and assembly is complete.

Carefully unpack the drill press and all its parts, and compare against the list below.

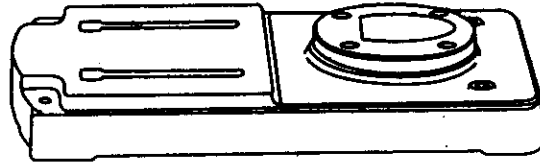
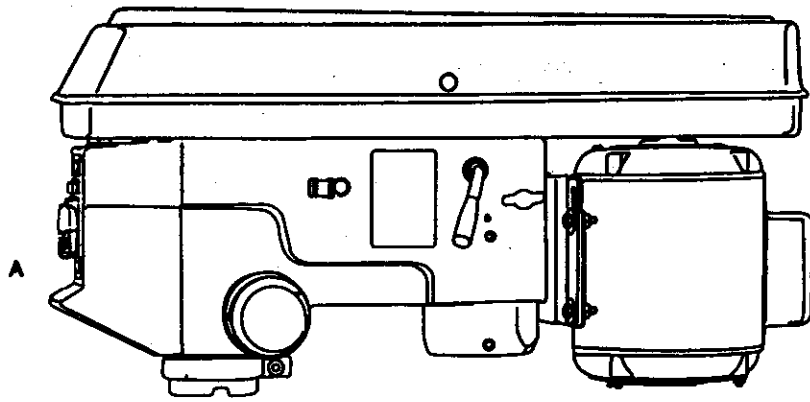
To protect the drill press from moisture, a protective coating has been applied to the machined surfaces. Remove this coating with a soft cloth moistened with kerosene or WD-40.

#### **▲ WARNING**

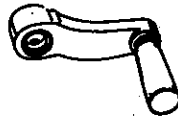
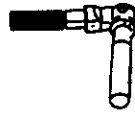
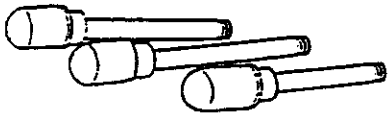
To avoid fire or toxic reaction, never use gasoline, naphtha, acetone, lacquer thinner or similar highly volatile solvents to clean the drill press.

### TABLE OF LOOSE PARTS

<u>ITEM</u>	<u>DESCRIPTION</u>	<u>QUANTITY</u>
A.	Head assembly	1
B.	Table	1
C.	Base	1
D.	Column assembly	1
	Loose parts bag:	
E.	Feed handle	3
F.	Lock handle	1
G.	Crank Handle	1
H.	Hex bolts	4
I.	Fence assembly	1
J.	Triangle knobs	2
K.	T-Block	2
L.	Washer	2
M.	Hex wrenches	3
N.	Wedge	1
O.	Arbor	1
	Box:	
P.	Chuck key	1
Q.	Chuck	1



D

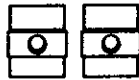
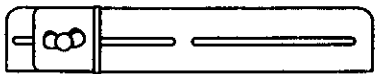


E

F

G

H

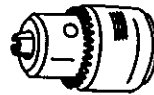
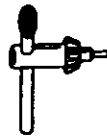
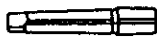


I

J

K

L



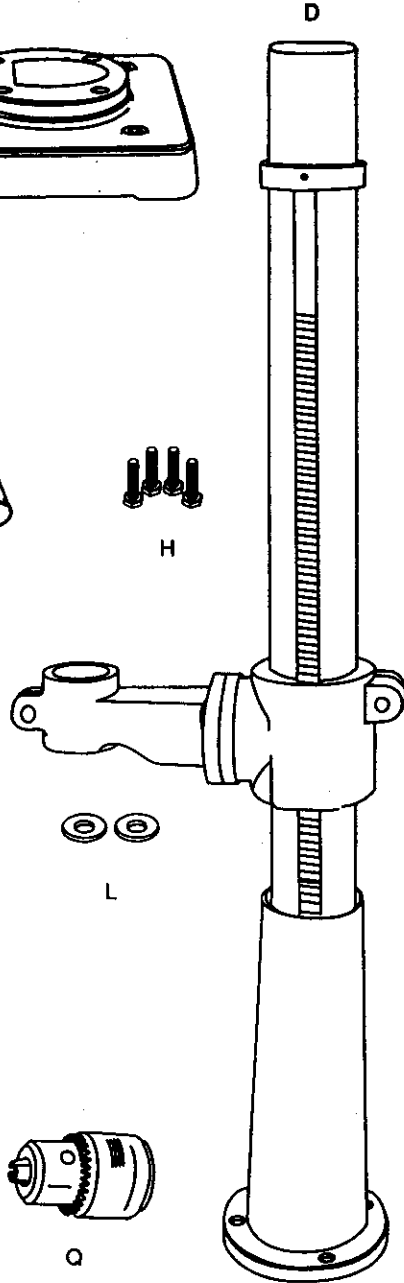
M

N

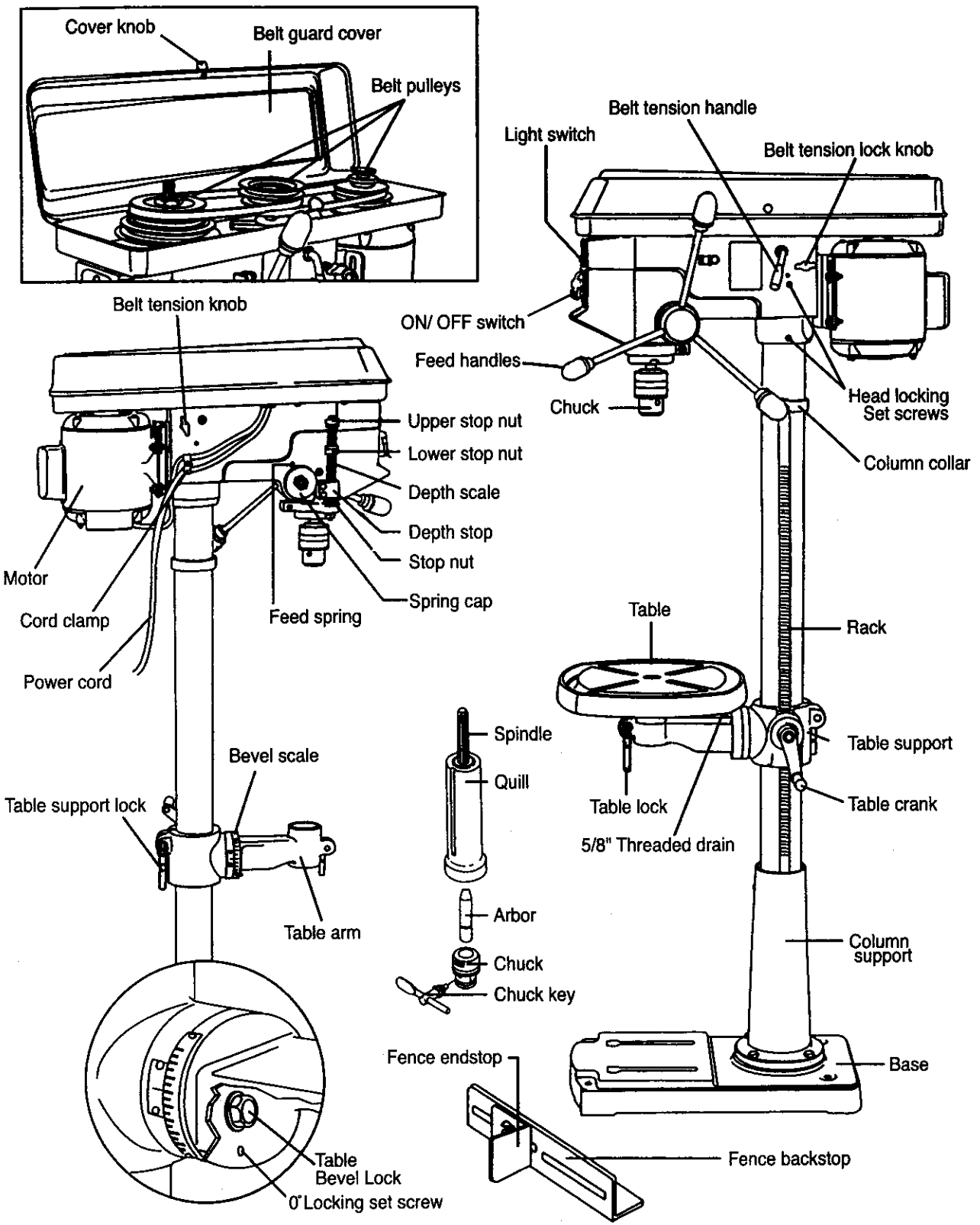
O

P

Q



# KNOW YOU DRILL PRESS





## GLOSSARY OF TERMS

**BASE** – Supports drill press. For additional stability, holes are provided in base to bolt drill press to floor. (See "Specific Safety Instruction for Drill Presses.")

**BACKUP MATERIAL** – A piece of scrap wood placed between the workpiece and table. The backup board prevents wood in the workpiece from splintering when the drill passes through the backside of the workpiece. It also prevents drilling into the table top.

**BELT GUARD ASSEMBLY** – Covers the pulleys and belt during operation of the drill press.

**BELT TENSION** – Refer to the "Assembly" Section, "Installing and Tensioning Belt."

**BELT TENSION HANDLE** – Turn the handle clockwise to apply tension to belt, turn the handle counterclockwise to release belt tension.

**BELT TENSION LOCK KNOBS** – Tightening the knobs locks the motor bracket support and the belt tension handle, maintaining correct belt distance and tension.

**BEVEL SCALE** – Shows degree of table tilt for bevel operations. The scale is mounted on the side of the arm.

**CHUCK** – Holds drill bit or other recommended accessory to perform desired operations.

**CHUCK KEY** – A self-ejecting chuck key which will pop out of the chuck when you let go of it. This action is designed to help prevent throwing of the chuck key from the chuck when the power is turned ON. Do not use any other key as a substitute; order a new one if damaged or lost.

**COLUMN** – Connects the head, table, and base on a one piece tube for easy alignment and movement.

**COLUMN COLLAR** – Holds the rack to the column. Rack remains movable in the collar to permit table support movements.

**COLUMN SUPPORT** – Supports the column, guides the rack and provides mounting holes for column to base.

**DEPTH SCALE STOP NUTS** – Lock the spindle to the selected depth.

**DEPTH SCALE** – Indicates depth of hole being drilled.

**DRILL BIT** – The cutting tool used in the drill press to make holes in a workpiece.

**DRILL ON/OFF SWITCH** – Has locking feature. This feature is intended to help prevent unauthorized and possible hazardous use by children and others. Insert the key into the switch to turn the drill press on.

**DRILLING SPEED** – Changed by placing the belt in any of the steps (grooves) in the pulleys. See the Spindle Speed Chart inside belt guard.

**FEED HANDLE** – Moves the chuck up or down. IF necessary, one or two of the handles may be removed whenever the workpiece is of such unusual shape that it interferes with the handles.

**FENCE** – Attaches to the table to align the workpiece or for fast repetitive drilling. Removable. Remove fence when it interferes with other drill press accessories.

**HEAD LOCKS** – Locks the head to the column. ALWAYS lock the head in place while operating the drill press.

**RACK** – Combines with gear mechanism to provide easy elevation of the table by the hand operated table crank.

**REVOLUTION PER MINUTE (R.P.M.)** – The number of turns completed by a spinning object in one minute.

**SPINDLE SPEED** – The R.P.M. of the spindle.

**SPRING CAP** – Adjusts quill spring tension.

**TABLE SUPPORTS LOCK** – Tightening locks the table support to column. Always have it locked in place while operating the drill press.

**TABLE** – Provides a working surface to support the workpiece.

**TABLE ARM** – Extends beyond the table support for mounting and aligning the table.

**TABLE BEVEL LOCK** – Locks the table in any position from 0° – 45°

**TABLE CRANK** – Elevates and lowers the table. Turn clockwise to elevate the table. Support lock must be released before operating the crank.

**TABLE LOCK** – Locks the table after it is rotated to various positions.

**TABLE SUPPORT** – Rides on the column to support the table arm and table.

**THREADED DRAIN (5/8")** – Attach a 5/8" (pipe threaded) metal pipe to the threaded opening for draining excess oil into container. For a non-draining surface attach a threaded metal plug. Pipe and plug not included.

**WORKPIECE** – Material being drilled.

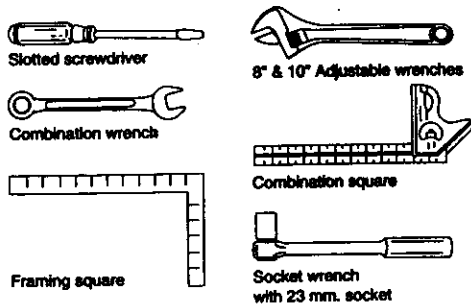
# ASSEMBLY AND ADJUSTMENTS

## ASSEMBLY INSTRUCTIONS

### ▲ WARNING

For your own safety, never connect plug to power source outlet until all assembly and adjustment steps are completed, and you have read and understood the safety and operating instructions.

### TOOLS NEEDED



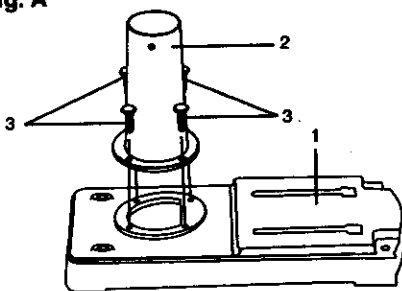
### ▲ WARNING

The Drill Press is very heavy and MUST be lifted with the help of 2 PEOPLE OR MORE, to safety assembly it.

### COLUMN SUPPORT TO BASE (FIG. A)

1. Position the base (1) on the floor.
2. Place the column (2) on the base, aligning the holes in the column support with the holes in the base.
3. Locate the four long hex bolts (3) from the loose parts bag.
4. Place a bolt in each hole through the column support and the base. Tighten with an adjustable wrench.

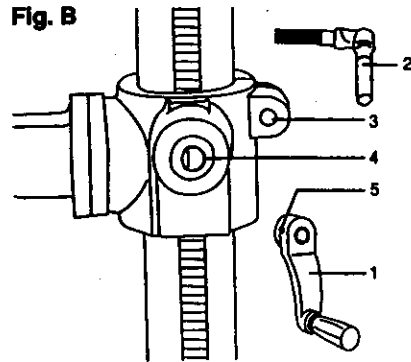
Fig. A



### INSTALLING THE TABLE (FIG. B and C)

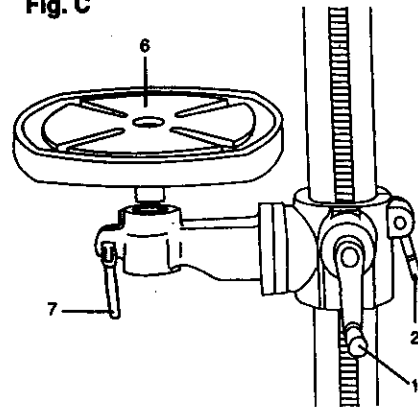
1. Locate the table crank (1) and support lock (2) from the loose parts bag.
2. Insert the support lock handle into the hole (3) at the rear of the table support assembly. Tighten by hand.
3. Install the table crank handle (3) onto the small shaft (4), aligning the set screw (5) with the flat surface of the shaft (4), aligning the set screw (5) with the flat surface of the shaft. Tighten the set screw with a hex wrench.

Fig. B



4. (FIG. C) Loosen the support lock (2). Raise the table arm assembly by turning the crank handle (1) clockwise. Tighten the support lock.
5. Place the table (6) in the table arm assembly. Tighten the table lock handle (7).

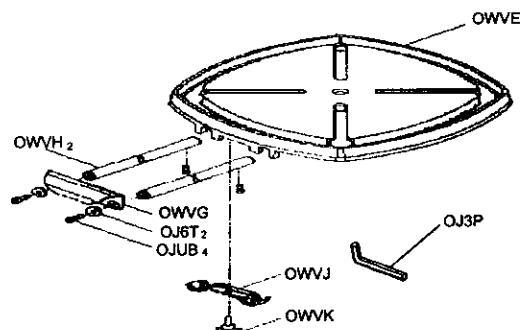
Fig. C



### INSTALLING EXTENSION WING

1. Place the handle (OWVG) onto the upper tube (OWVH).
2. Place the flat washers (OJ6T) onto the hex head bolts (OJUB). Insert the bolt (OJUB) into the upper tube (OWVH), and tighten.
3. Insert the hex head bolts (OJUB) onto the upper tube (OJUB) and tighten.
4. Place the upper tube assembly under the table.
5. Place the set plate (OWVJ) onto the clamp bolt (OWVK). Insert the set plate assembly into the table and tighten.

**NOTE:** If length adjustment is necessary, loosen the clamp bolt (OWVK) to the desired length and tighten the clamp bolt.



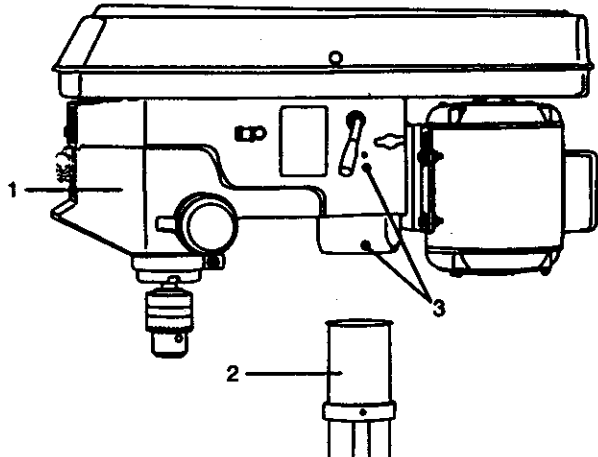
## INSTALLING THE HEAD (FIG. D)

### ⚠ WARNING

The Drill Press head is very heavy and **MUST** be lifted with the help of 2 PEOPLE OR MORE, to safely assemble the Drill Press head on the column.

1. Carefully lift the head (1) above the column (2) and slide it onto the column. Make sure the head slides down over the column as far as possible. Align the head with the base.
2. Using the hex wrench, tighten the two head lock set screws (3) on the right side of the head.

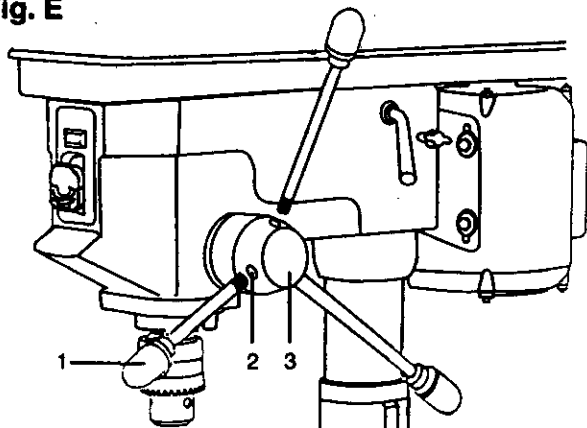
Fig. D



## INSTALLING FEED HANDLES (FIG. E)

1. Locate three feed handles in the loose parts bag.
2. Screw the feed handles (1) into the threaded holes (2) in the hub (3). Tighten

Fig. E

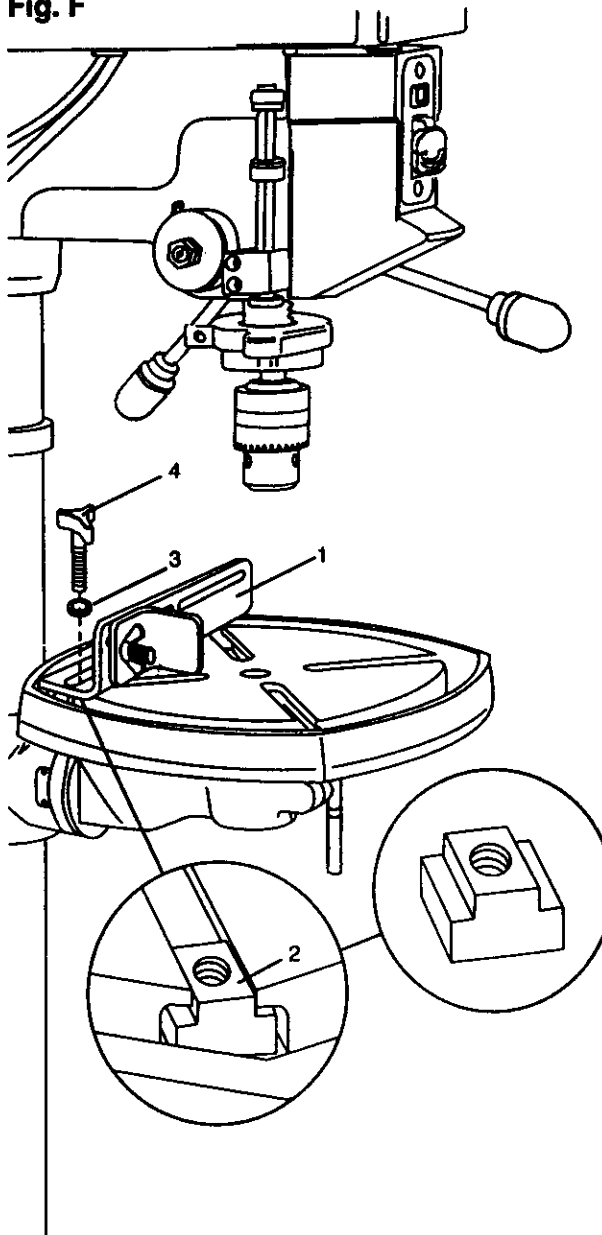


## FENCE ASSEMBLY (FIG. F)

This drill press has a channeled table top.

1. Determine the desired location for the fence (1). Slide the T-blocks (2) into the appropriate channels as shown.
2. Align the mounting holes of the fence over the T-block's threaded holes.
3. Place a washer (3) on the threaded end of the knob (4). Insert the knob through the mounting hole of the fence into the T-block, and tighten.
4. Repeat for the other knob and T-block.

Fig. F

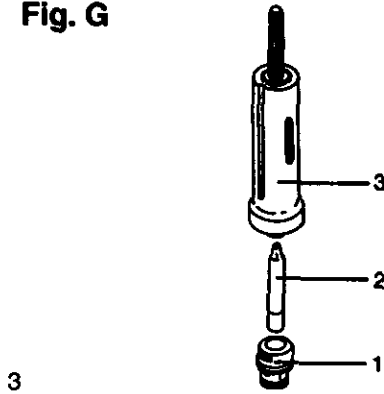


### INSTALLING THE CHUCK (FIG. G, H, and I)

1. Clean out the tapered hole in the chuck (1) with a clean cloth.
2. Clean tapered surfaces on the arbor (2) and spindle (3).

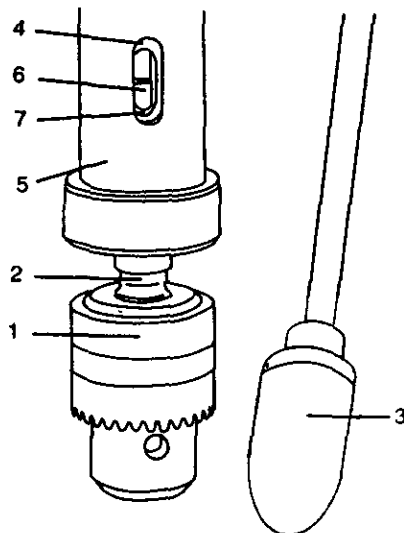
**CAUTION:** Make sure there are no foreign particles sticking to the surfaces. The slightest piece of dirt on any of these surfaces will prevent the chuck from seating properly. This will cause the drill chuck and bit to wobble. If tapered hole is extremely dirty, use a cleaning solvent.

Fig. G



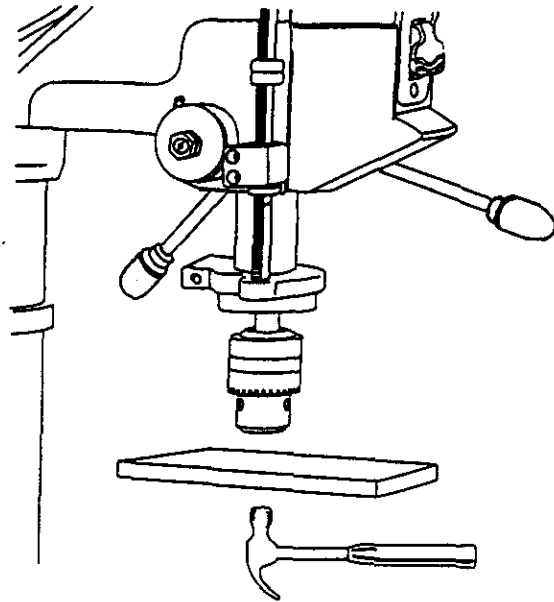
3. 4(FIG. H) Push the chuck (1) onto the spindle arbor (2). Tap gently to ensure seat.
4. 5 Lower the spindle by turning the feed handles (8) counterclockwise, until the slot (4) appears on the quill (5).
5. 6 Push the chuck and spindle arbor up into the spindle, making sure the tang (6) (upper narrow end of the spindle arbor shank) is engaged and locked in the inner slot (7) of the spindle. This can be seen through the outer slot (4) of the quill by rotating the chuck and arbor until the two slots are aligned.
6. 6 Open the jaws of the chuck (1) by rotating the chuck sleeve clockwise. To prevent damage, make sure the jaws are completely retracted into the chuck.

Fig. H



7. Using a rubber mallet, plastic-tipped hammer, or a block of wood and a hammer, firmly tap the chuck upward into position on the spindle shaft.

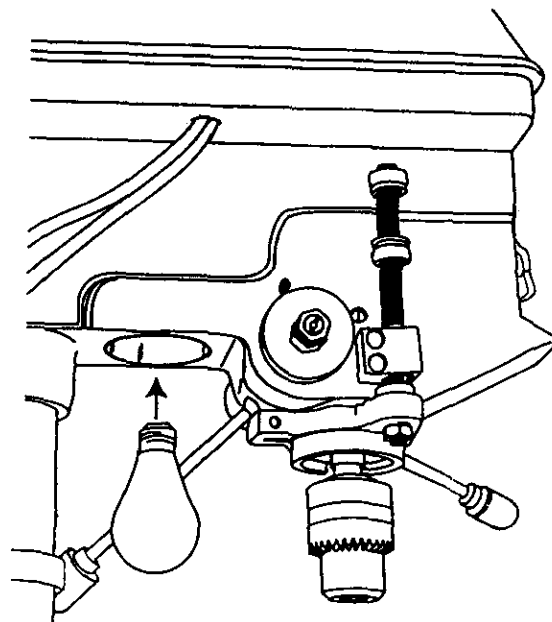
Fig. I



### INSTALLING LIGHT BULB (FIG. J) (not included)

1. Install a light bulb (no larger than 60 watt) into the socket inside the head.

Fig. J



## DRILL PRESS ADJUSTMENTS

**CAUTION:** All the adjustments for the operation of the drill press have been completed at the factory. Due to normal wear and use, some occasional readjustments may be necessary.

### ⚠ WARNING

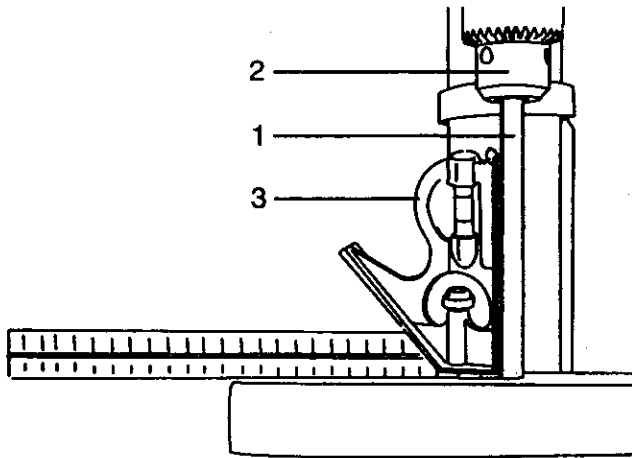
To prevent personal injury, always disconnect the plug from the power source when making any adjustments

### SQUARING TABLE TO HEAD (FIG. K and L)

**NOTE:** The table arm and support has a predrilled hole with a locking set screw inserted for locking the table to a predetermined 0° horizontal position. It must be loosened to change the angle of the table.

1. Insert a 1/4", or larger diameter, precision ground steel rod (1), approximately 3" long, into the chuck (2). Tighten the chuck jaws.
2. Raise table to working height and lock.
3. Using the combination square (3), place one edge flat on the table, and align the other edge vertically beside the rod (1).

Fig. K



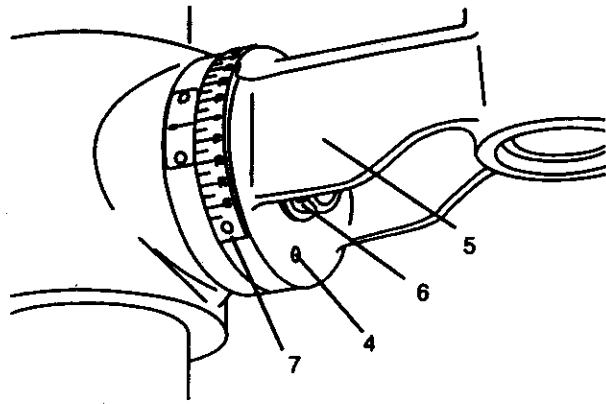
4. If an adjustment is necessary, loosen the locking set screw (4) with the 3 mm hex key to RELEASE the table from the horizontal position.
5. Loosen the large hex head bevel locking bolt (6).

### ⚠ WARNING

To prevent injury, be sure to hold the table & table arm assembly, so it will not swivel or tilt.

6. Align the square to the rod by rotating the table until the square and rod are in line.
7. Retighten the large hex bolt. (6).

Fig. L



### BEVEL SCALE (FIG. L and M)

**NOTE:** The bevel scale has been included to measure approximate bevel angles. If precision is necessary, a square or other measuring tool should be used to position the table. To use the bevel scale (7):

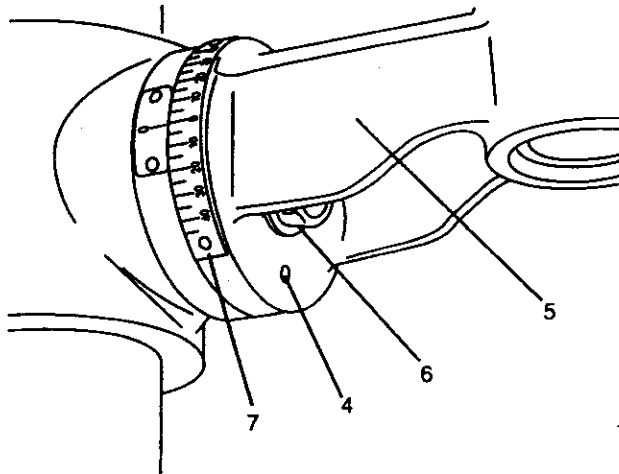
1. Loosen the locking set screw (4) to RELEASE it from the table support.
2. Loosen the large hex head bevel locking bolt (6).

### ⚠ WARNING

To prevent injury, be sure to hold the table & table arm assembly, so it will not swivel or tilt.

3. Tilt the table, aligning the desired angle measurement to the zero line opposite the scale (7).
4. Tighten the bevel locking bolt. (6).
5. To return the table to its original position, loosen the bevel locking bolt (6). Realign the bevel scale (7) to the 0° position.
6. Tighten the locking set screw (4) until it is seated in the horizontal 0° hole of the table support.

Fig. M



### **▲ WARNING**

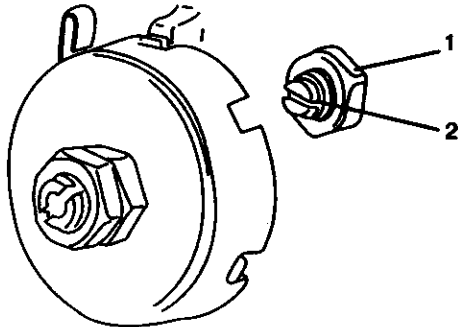
To prevent personal injury, always disconnect plug from the power source when making any adjustment.

#### **SPINDLE / QUILL (FIG. N)**

Rotate the feed handles counterclockwise to lower spindle to its lowest position. Hand support the spindle securely and move it back and forth around the axis. If there is too much play, do the following:

1. Loosen the lock nut (1).
2. Turn the screw (2) clockwise to eliminate the play, but without obstructing the upward movement of the spindle. (A little play in the spindle is normal.)
3. Tighten the lock nut (1).

**Fig. N**



#### **QUILL RETURN SPRING (FIG. O)**

The quill return spring may need adjustment if the tension cause the quill to return too rapidly or too slowly.

1. Lower the table for additional clearance.
2. Place a screwdriver in the lower front notch (1) of the spring cap (2). Hold it in place while loosening and removing only the outer jam nut (3).
3. With the screwdriver still engaged in the notch, loosen the inner nut (4) just until the notch (5) disengages from the boss (6) on the drill press head.

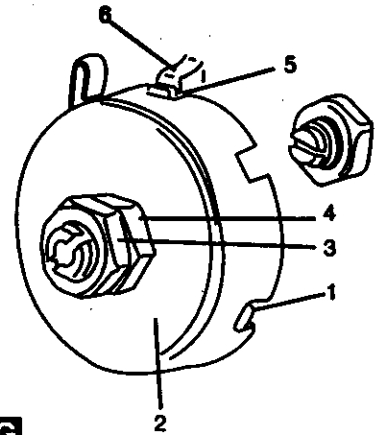
**CAUTION: DO NOT REMOVE THIS INNER NUT,** because the spring will forcibly unwind.

4. Carefully turn the spring cap (2) counterclockwise with the screwdriver, engaging the next notch.
5. Lower the quill to the lowest position by rotating the feed handle in a counterclockwise direction while holding the spring cap (2) in position.
6. If the quill moves up and down as easily as you desire, tighten the standard nut (4) with the adjustable wrench. If too loose, repeat steps 2 through 5 to tighten. If too tight, reverse steps 4 and 5.

**DO NOT OVERTIGHTEN** and restrict quill movement.

7. Replace the jam nut (3) and tighten against the standard nut (4) to prevent the standard nut from reversing.

**Fig. O**



### **▲ WARNING**

To avoid injury from an accidental start, ALWAYS make sure the switch is in the "OFF" position, the switch key is removed, and the plug is not connected to the power source outlet before making belt adjustments.

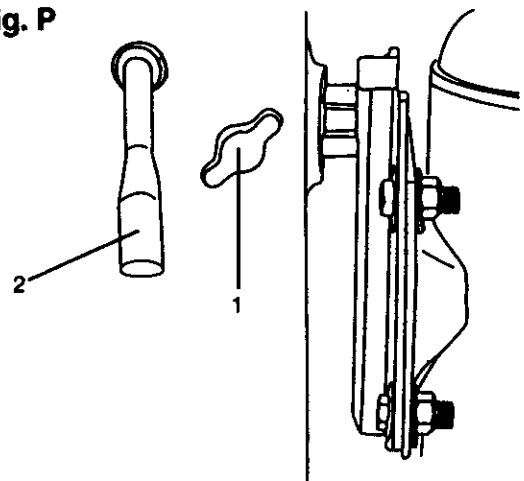
#### **BELT TENSION (FIG. P)**

Make sure pulleys are aligned properly as shown in Figure R on page 15.

1. To unlock the belt tension, turn the belt tension lock knobs (1) on each side of the drill press head counterclockwise.
2. Tighten the belts by turning the belt tension handle (2) clockwise.
3. Loosen the belts by turning the belt tension handle (2) counterclockwise. Set belts on pulley steps for desired speed.
4. Lock the belt tension lock knobs (1) by turning clockwise.

**NOTE:** Belt tension is correct if the belt deflects approximately 1/2 inch when pressed at its center.

**Fig. P**



## ▲ WARNING

To avoid injury from an accidental start, ALWAYS make sure the switch is in the "OFF" position, the switch key is removed, and the plug is not connected to the power source outlet before making belt adjustments.

### ALIGNING THE BELT PULLEYS (FIG. N)

Open the head cover of the Drill Press. Check alignment of the pulleys with a straight edge (5) such as a framing square, a level, or a piece of a wood. Lay the straight edge across the top of the pulleys. If all three pulleys are NOT aligned:

1. Release belt pressure by loosening the belt tension lock knobs (4) on either side of the head, unlocking the belt tension handle (1).
2. Loosen the motor mount nuts (2). Lift or lower the motor (3) until the pulleys are in line.
3. Tighten the motor mount nuts (2) using an adjustable wrench.

**NOTE:** To avoid rattles or other noise, the motor housing should not touch the lower belt guard housing.

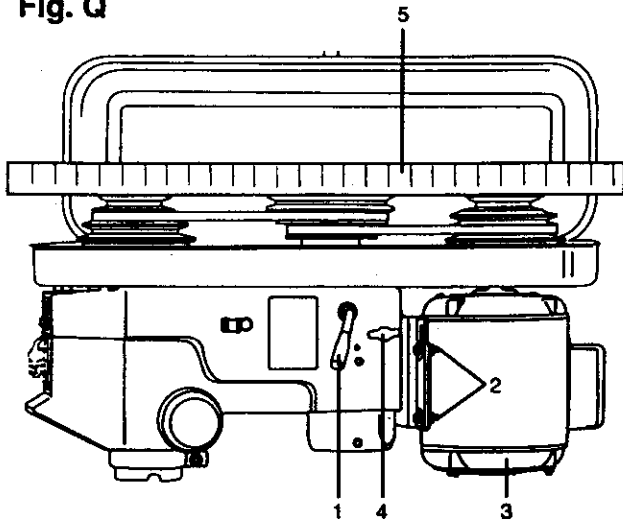
4. Retighten the belts by turning the belt tension handle (1) clockwise, until the belt deflects approximately 1/2 inch when pressed in the center.

**NOTE:** Refer to the chart inside the belt guard cover for recommended drilling speeds and belt/pulley positions.

5. Lock the belt tension lock knobs (4) by turning clockwise.

**NOTE:** When the belts are new, it may be difficult to move the belts. As the machine is used, the belts will gain more elasticity and will be easier to adjust.

Fig. Q



## OPERATION

### BASIC DRILL PRESS OPERATIONS

#### SPEEDS AND BELT PLACEMENT (FIG. R)

This drill press has 12 speeds, as listed below:

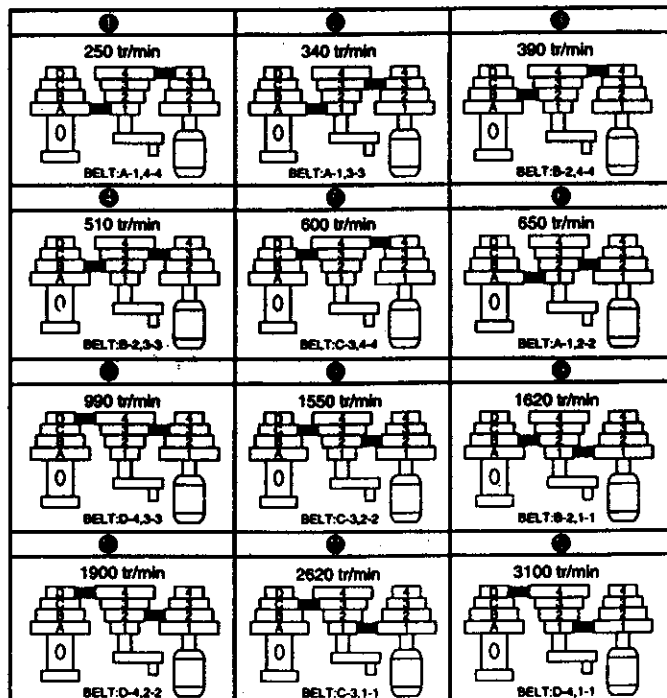
250 RPM	600 RPM	1620 RPM
340 RPM	650 RPM	1900 RPM
390 RPM	990 RPM	2620 RPM
510 RPM	1550 RPM	3100 RPM

See inside of the pulley guard for specific placement of the belts on the pulleys to change speeds.

## ▲ WARNING

To avoid possible injury, keep guard closed, in place, and in proper working order while tool is in operation.

Fig. R

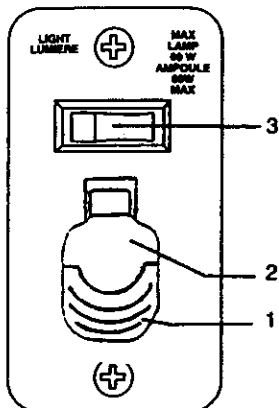


### ON / OFF SWITCH PANEL (FIG. S)

The "ON / OFF" switch has a removable, yellow plastic key. With the key removed from the switch, unauthorized and hazardous use by children and other is minimized.

1. To turn the drill press "ON", insert key (1) into the slot of the switch (2), and move the switch upward to the "ON" position
2. To turn the drill press "OFF", move the switch downward.
3. To lock the switch in the "OFF" position, grasp the end, or yellow part, of the switch toggle, and pull it out.
4. With the switch key removed, the switch will not operate.
5. If the switch key is removed while the drill press is running, it can be turned "OFF" but cannot be restarted without inserting the switch key.
6. To turn the worklight "ON", press the rocker switch (3).
7. Never leave the drill press unattended. Turn the light switch and power switch "OFF" and wait until it comes to a complete stop.

Fig. S



#### ▲ WARNING

ALWAYS lock the switch "OFF" when the drill press is not in use. Remove the key and keep it in a safe place. In the event of a power failure, blown fuse, or tripped circuit breaker, turn the switch "OFF" and remove the key, preventing an accidental startup when power comes on.

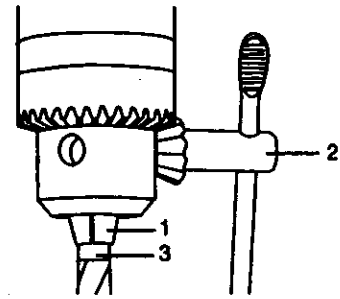
### INSTALLING DRILL BIT IN CHUCK (FIG. T)

1. With the switch "OFF" and the yellow switch key removed, open the chuck jaws (1) using the chuck key (2). Turn the chuck key counterclockwise to open the chuck jaws (1).
2. Insert the drill bit (3) into the chuck far enough to obtain maximum gripping by the jaws, but not far enough to touch the spiral grooves (flutes) of the drill bit when the jaws are tightened.
3. Make sure that the drill is centered in the chuck.
4. Turn the chuck key clockwise to tighten the jaws.

#### ▲ WARNING

To avoid injury or accident by the chuck key ejecting forcibly from the chuck when the power is turned "ON", use only the self-ejecting chuck key supplied with this drill press. ALWAYS recheck and remove the chuck key before turning the power "ON".

Fig. T



#### ▲ WARNING

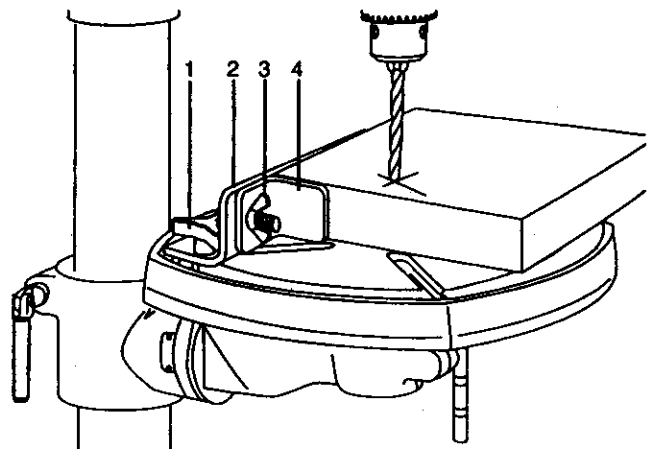
To prevent the workpiece or backup material from being torn from your hands while drilling, you MUST position the workpiece against the LEFT side of the column. If the workpiece or the backup material is not long enough to reach the column, clamp them to the table, or use the fence provided with the drill press to brace the workpiece. Failure to secure the workpiece could result in personal injury.

### USING THE FENCE (FIG. U)

The fence provides a way of accurately and quickly setting up the workpiece for more precision or for repetitive drilling operations.

1. Using the centerpunch or sharp nail, make an indentation in the workpiece where you want to drill.
2. Lower the drill bit to align with the indentation on the workpiece. See "HOLDING A DRILLING LOCATION" page 19.
3. Loosen the knobs (1) and slide the fence back stop (2) firmly against the long side of the workpiece. Tighten the knobs when in position.
4. Loosen the wing nut (3) and slide the end stop (4) along the fence until it is firmly against the left side of the workpiece. Tighten the wing nut.
5. Check the accuracy by drilling a scrap workpiece. Adjust if needed.
6. Hold with your hand or clamp the top surface of the workpiece firmly to prevent it from lifting off the table when the bit is raised.

Fig. U





### DRILLING TO A SPECIFIC DEPTH (FIG. V)

Drilling a blind hole (not all the way through workpiece) to a given depth can be done two ways:

#### Workpiece method

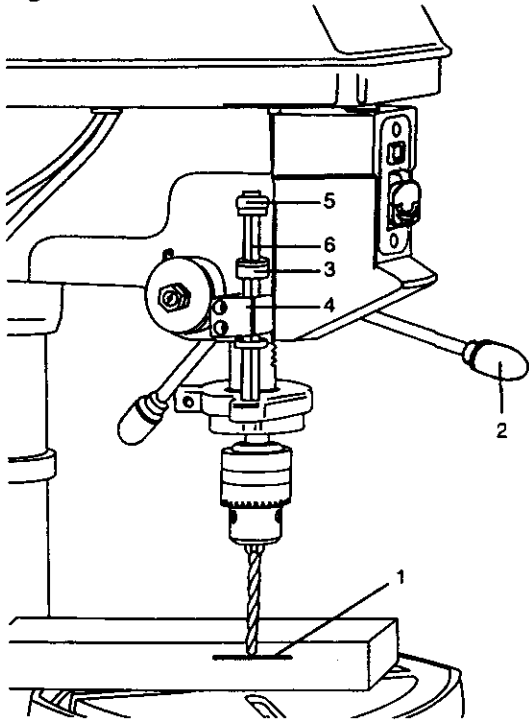
1. Mark the depth (1) of the hole on the side of the workpiece.
2. With the switch "OFF", bring the drill bit down until the tip is even with the mark.
3. Hold the feed handle (2) at this position.
4. Spin the lower nut (3) down to contact the depth stop (4) on the head.
5. Spin the upper nut (5) down and tighten against the lower nut (3).
6. The drill bit will now stop after traveling the distance marked on the workpiece.

#### Depth scale method

**Note:** With the chuck up the tip of the drill bit must be just slightly above the top of the workpiece.

1. With the switch "OFF", turn the feed handle (2) until depth stop (4) points to the desired depth on the depth scale (6) and hold the feed handle in that position.
2. Spin the lower nut (3) down to contact the depth stop (4).
3. Spin the upper nut (5) against the lower stop nut (3) and tighten.
4. The drill bit will stop after traveling the distance selected on the depth scale.

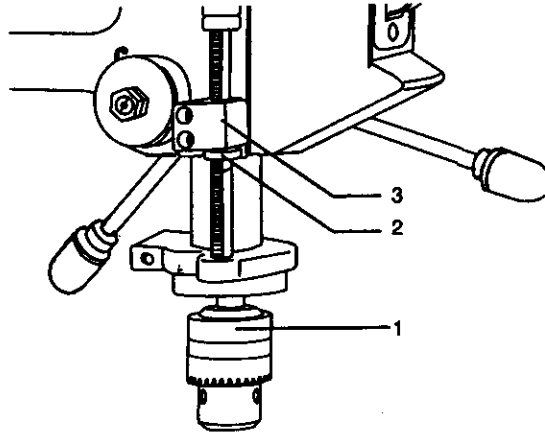
Fig. V



### LOCKING THE CHUCK AT THE DESIRED DEPTH (FIG. W)

1. With the switch "OFF", turn the feed handles until the chuck (1) is at the desired depth. Hold the feed handles at this position.
2. Turn the stop nut (2), located under the depth stop (3), counterclockwise and upwards, until it is against the depth stop.
3. The chuck will now be held at this position when the feed handles are released.

Fig. W

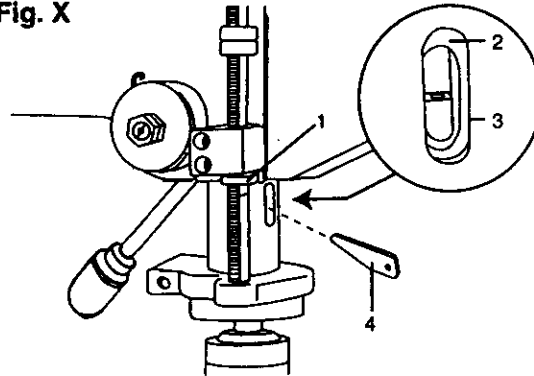


### REMOVING CHUCK AND ARBOR (FIG. X)

1. With the switch "OFF", adjust the depth stop nut (1) to hold the drill at a depth of three inches. (See instructions for "LOCKING CHUCK AT DESIRED DEPTH").
2. Align the key holes in the spindle (2) and quill (3) by rotating the chuck by hand.
3. Insert the key wedge (4) into the key holes (2 & 3).
4. Tap the key wedge (4) lightly with a plastic tipped hammer, until the chuck and arbor fall out of the spindle.

**NOTE:** Place one hand below the chuck to catch it when it falls out.

Fig. X



## BASIC OPERATION INSTRUCTIONS

To get the best results and minimize the likelihood of personal injury, follow these instructions for operating your drill press.

### **▲ WARNING**

For your own safety, always observe the SAFETY INSTRUCTIONS listed here and on pages 3, 4 and 5 of the instruction manual.

## YOUR PROTECTION

### **▲ WARNING**

To avoid being pulled into the power tool, do not wear loose clothing, gloves, neckties, or jewelry. Always tie back long hair.

1. If any part of your drill press is missing, malfunctioning, damaged or broken, stop operation immediately until that part is properly repaired or replaced.
2. Never place your fingers in a position where they could contact the drill bit or other cutting tool. The workpiece may unexpectedly shift, or your hand could slip.
3. To avoid injury from parts thrown by the spring, follow instructions exactly when adjusting the spring tension of the quill.
4. To prevent the workpiece from being torn from your hands, thrown, spun by the tool, or shattered, always properly support your workpiece as follow:
  - a. Always position BACKUP MATERIAL (used beneath workpiece ) so that it contacts the left side of the column, or use the fence provided and a clamp to brace a small workpiece.
  - b. Whenever possible, position the WORKPIECE to contact the left side of the column. If it is too short or the table is tilted, use the fence provided or clamp solidly to the table, using the table slots.
  - c. When using a drill press vise, always fasten it to the table.
  - d. Never do any work freehand (hand-holding the workpiece rather than supporting it on the table), except when polishing.
  - e. Securely lock the head and support to the column, the table arm to the support, and the table to the table arm, before operating the drill press.
  - f. Never move the head or the table while the tool is running.
  - g. Before starting an operation, jog the motor switch to make sure the drill or other cutting tool does not wobble or cause vibration.
  - h. If a workpiece overhangs the table so it will fall or tip if not held, clamp it to the table or provide auxiliary support.
  - i. Use fixtures for unusual operations to adequately hold, guide, and position workpiece.

j. Use the SPINDLE SPEED recommended for the specific operation and workpiece material. Check the panel on the inside pulley cover or the chart below for drilling speed information. For accessories, refer to the instructions provided with each accessory.

5. Never climb on the drill press table, it could break or pull the entire drill press down on you.
6. Turn the motor switch "OFF", and put away the switch key when leaving the drill press.
7. To avoid injury from thrown work or tool contact, do not perform layout, assembly, or set up work on the table while the cutting tool is rotating.

DRILLING SPEED TABLE (rpm)								
Drill Bit Diam. (Inches)	Material							
	Wood	Alumi- num	Plastic	Mild Steel	Stain- less			
1/32	3100	3100	3100	3100	3100			
1/16					1620 2620			
1/8				1620 2620	990 1550			
3/16				990 1550	600 650			
1/4				1620 2620	1620 2620	600 650	340 510	
5/16				990 1550	990 1550	340 510	250	
3/8								
7/16				1630 2620	600 650	600 650		
1/2								
9/16								
5/8								

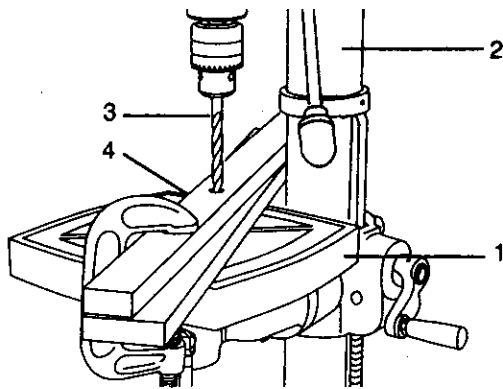
**POSITIONING THE TABLE AND WORKPIECE (FIG. Y and Z)**

1. Lock the table (1) to the column (2) at a position so the tip of the drill bit (3) is just above the top of the workpiece (4).
2. ALWAYS place a BACK-UP MATERIAL (scrap wood) on the table beneath the workpiece. This will prevent splintering or heavy burring on the underside of the workpiece. To keep the back-up material from spinning out of control, it MUST contact the LEFT side of the column.

**▲ WARNING**

To prevent the workpiece or backup material from being torn from your hands while drilling, you MUST position it against the LEFT side of the column. If the workpiece or the backup material is not long enough to reach the column, use the fence provided with the drill press to brace the workpiece. Failure to do this could result in personal injury.

Fig. Y

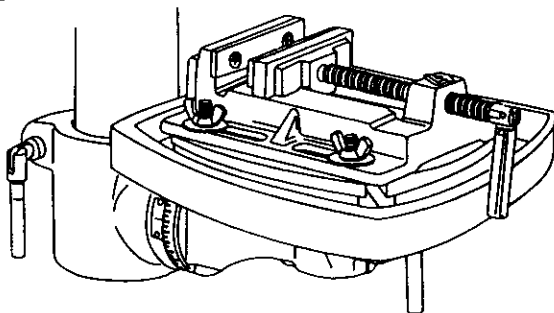


3. For small pieces that cannot be clamped to the table, use a drill press vise (optional accessory).

**▲ WARNING**

The drill press vise MUST be clamped or bolted to the table to avoid injury from a spinning workpiece, or damaged vise or bit parts. Remove the drill press fence when it interferes with other drill press accessories.

Fig. Z



**HOLDING A DRILLING LOCATION**

1. Using a centerpunch or sharp nail, make an indentation in the workpiece where you want the hole.
2. Using the feed handles, bring the drill down to align with the indentation before turning the drill ON.

**TILTING THE TABLE (FIG. AA)**

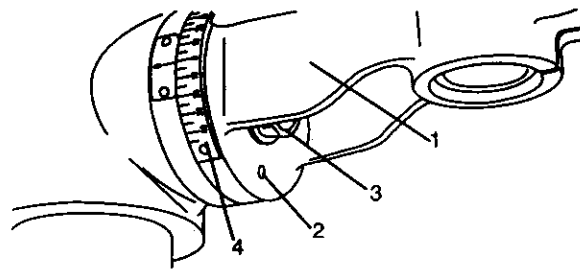
**NOTE:** The table arm and support (1) has a predrilled hole with a locking set screw inserted for locking the table into a predetermined 0° horizontal position.

1. To use the table in a bevel (tilted) position, turn the locking set screw (2) with the hex key counterclockwise to release it from the table support.
2. Loosen the large hex head bevel locking bolt (3).

**▲ WARNING**

To prevent injury, be sure to hold the table & table arm assembly, so it will not swivel or tilt.

Fig. AA



3. Tilt the table, aligning the desired angle measurement to the zero line opposite the scale (4). Tighten the bevel locking bolt.
4. To return the table to its original position, loosen the bevel locking bolt (3). Realign the bevel scale (4) to the 0° position.
5. Using the hex key, turn the locking set screw (2) clockwise to seat into the hole.

**▲ WARNING**

To avoid injury from spinning work or tool breakage, always clamp workpiece and backup material securely to the table before operating the drill press with the table tilted.

**FEEDING**

1. Pull down the feed handles with only enough effort to allow the drill bit to cut.
2. Feeding too slowly might cause the drill bit to burn. Feeding too rapidly might stop the motor, cause the belt or drill to slip, or tear the workpiece loose and break the drill bit.
3. When drilling metal, it may be necessary to lubricate the drill bit tip with motor oil, to prevent burning the tip.

## MAINTENANCE

### MAINTAINING YOUR DRILL PRESS

#### **▲ WARNING**

For your own safety, turn the switch "OFF" and remove the plug from the power source outlet before maintaining or lubricating your drill press.

Frequently blow out, using an air compressor or dust vacuum, any dust that accumulates inside the motor.

A coat of automotive paste wax applied to the table and column will help to keep the surface clean.

#### **▲ WARNING**

To avoid shock or fire hazard, if the power cord is worn or cut in any way, have it replaced immediately.

#### **LUBRICATION**

All of the drill press ball bearings are packed with grease at the factory. They require no further lubrication.

Periodically lubricate the gear and rack, table elevation mechanism of the spindle the rack (teeth) of the quill.

# TROUBLESHOOTING

## TROUBLESHOOTING GUIDE

### **▲ WARNING**

To avoid injury from an accidental start, turn the switch "OFF" and always remove the plug from the power source before making any adjustment.

- Consult your local Sears Service Center if for any reason the motor will not run.

PROBLEM	POSSIBLE CAUSES	REMEDY
Noisy operation	<ol style="list-style-type: none"> <li>1. Incorrect belt tension.</li> <li>2. Dry spindle.</li> <li>3. Loose spindle pulley.</li> <li>4. Loose motor pulley.</li> </ol>	<ol style="list-style-type: none"> <li>1. Adjust tension. See Section "ASSEMBLY - TENSIONING BELT"</li> <li>2. Lubricate spindle. See Section "LUBRICATION".</li> <li>3. Check tightness of retaining nut on pulley, and tighten if necessary.</li> <li>4. Tighten set screw in motor pulley.</li> </ol>
Drill bit burn.	<ol style="list-style-type: none"> <li>1. Incorrect speed.</li> <li>2. Chips not coming out of hole.</li> <li>3. Dull drill bit.</li> <li>4. Feeding too slowly.</li> <li>5. Not lubricated.</li> </ol>	<ol style="list-style-type: none"> <li>1. Change speed. See Section "BASIC DRILL PRESS OPERATION - SPINDLE SPEEDS"</li> <li>2. Retract drill frequently to clear chips.</li> <li>3. Resharpen drill bit.</li> <li>4. Feed fast enough – allow drill to cut.</li> <li>5. Lubricate drill. See Section "BASIC DRILL PRESS OPERATION-FEEDING"</li> </ol>
Run out of drill bit point - drilled hole not round.	<ol style="list-style-type: none"> <li>1. Hand grain in wood or lengths of cutting flutes and/or angles not equal.</li> <li>2. Bent drill bit.</li> </ol>	<ol style="list-style-type: none"> <li>1. Resharpen drill bit correctly.</li> <li>2. Replace drill bit.</li> </ol>
Wood splinters on underside.	<ol style="list-style-type: none"> <li>1. No backup material under workpiece.</li> </ol>	<ol style="list-style-type: none"> <li>1. Use backup material. See Section "BASIC DRILL PRESS OPERATION".</li> </ol>
Workpiece torn loose from hand.	<ol style="list-style-type: none"> <li>1. Not supported or clamped properly.</li> </ol>	<ol style="list-style-type: none"> <li>1. Support workpiece or clamp it. See Section "BASIC DRILL PRESS OPERATION".</li> </ol>
Drill bit binds in workpiece.	<ol style="list-style-type: none"> <li>1. Workpiece pinching drill bit, or excessive feed pressure.</li> <li>2. Improper belt tension.</li> </ol>	<ol style="list-style-type: none"> <li>1. Support workpiece or clamp it. See Section "BASIC DRILL PRESS OPERATION".</li> <li>2. Adjust tension. See Section "ASSEMBLY - TENSIONING BELT".</li> </ol>
Excessive drill bit runout or wobble.	<ol style="list-style-type: none"> <li>1. Bent drill bit.</li> <li>2. Worn bearings.</li> <li>3. Drill bit not properly installed in chuck.</li> <li>4. Chuck not properly installed.</li> </ol>	<ol style="list-style-type: none"> <li>1. Use a straight drill bit.</li> <li>2. Replace bearings.</li> <li>3. Install drill properly. See Section "BASIC DRILL PRESS OPERATION" and "ASSEMBLY".</li> <li>4. Install chuck properly. See Section "ASSEMBLY - INSTALLING THE CHUCK".</li> </ol>
Quill returns too slow or too fast.	<ol style="list-style-type: none"> <li>1. Spring has improper tension.</li> </ol>	<ol style="list-style-type: none"> <li>1. Adjust spring tension. See Section "ASSEMBLY - ADJUSTMENTS -QUILL RETURN SPRING".</li> </ol>
Chuck will not stay attached to spindle. It falls off when trying to install.	<ol style="list-style-type: none"> <li>1. Dirt, grease, or oil on the tapered inside surface of chuck or on the spindle's tapered surface.</li> </ol>	<ol style="list-style-type: none"> <li>1. Using a household detergent, clean the tapered surface of the chuck and spindle to remove all dirt, grease and oil. See Section "ASSEMBLY - INSTALLING THE CHUCK".</li> </ol>

# PARTES

## 15" DRILL PRESS PARTS LIST

### ▲ WARNING

When servicing use only CRAFTSMAN replacement parts. Use of any other parts may create a HAZARD or cause product damage.

### ▲ WARNING

Any attempt to repair or replace electrical parts on this Drill Press may create a HAZARD unless repair is done by a qualified service technician. Repair service is available at your nearest Sears Service Center.

Always order by PART NUMBER, not by key number

Key	Description	Size	Qty.	Key	Description	Size	Qty.
05UE	BASE		1	0607	SWITCH BOX		1
058T	BODY COLUMN		1	0KDJ	CR. RE. PAN HD. SCREW	M5*0.8-12	3
0JQ0	HEX. HD. BOLT	M10*1.5-40	4	060T	PULLEY COVER ASSY		1
05UW	WORM		1	0VME	CENTER PULLEY		1
05UY	CRANK HANDLE ASSY		1	0JKH	V-BELT	M-26	1
05V0	TABLE BRACKET		1	0J8F	FLAT WASHER	1/4*3/4-3/16	4
05V8	TILTING SCALE		1	0KPX	HEX. NUT	1/2*20UNF T=6.5	1
06RZ	CENTERING SCALE		1	04A4	CLAMP-CORD		3
0K9X	DRIVE SCREW	φ2.3-5	2	0KDH	CR. RE. PAN HD. SCREW	M5*0.8-8	3
0SGF	COLUMN LOCK HANDLE	M12*1.75-35	1	061R	CHUCK KEY HOLDER		1
05VD	TABLE LOCK HANDLE	M10*1.5	1	0K7K	CR. RE. ROUND WASHER HD. SCRE	M6*1.0-12	5
0WVE	TABLE		1	0JKC	V-BELT	M-24	1
05VQ	RACK		1	06TS	SWITCH COVER		1
05VT	RACK RING		1	0K94	CR. RE. TRUSS HD. TAPPING SCREW	M5*12-16	2
05WE	HEAD ASSY		1	061Y	MOTOR ROD		1
0JXL	HEX. SOC. SET SCREW	M10*1.5-12	2	0JCM	SPRING PIN	6-25	2
0KDG	CR. RE. PAN HD. SCREW	M5*0.8-6	2	0V86	WARNING LABEL		1
05WJ	HANDLE SHIFTER		1	22BG	MOTOR LABEL		1
05WL	MOTOR BAR SHIFTER ASSY		1	22BE	SPEED DIAGRAM		1
05WN	MOTOR ROD		1	0WVR	TRADE-MARK LABEL		1
05GN	SHIFTER BOLT		2	0K9X	DRIVE SCREW	φ2.3-5	4
05WV	MOTOR BASE		1	05G3	PARALLEL BRACKET ASSY		1
0J9M	SPRING WASHER	φ1/2	2	0711	LOCK KNOB	M8*1.25	2
0KMX	HEX. NUT	M12*1.75 T=10	2	0J7J	FLAT WASHER	3/8*1 5/32-7/64	2
05X2	FEED SHAFT ASSY		1	0712	PARALLEL BRACKET		1
05GG	HANDLE BAR ASSY		1	0713	SLIDE PLATE		2
05XK	SCALE RING		1	0KJ0	CAP HD. SQ. NECK BOLT	M8*1.0-16	1
0VJK	SPRING CAP		1	0714	PLATE		1
05Y1	SPRING RETAINER		1	0KQ5	WING NUT	M6X1.0	1
0KPV	HEX. NUT	1/2*20UNF T=10	1	0KFF	CR. RE. PAN HD. SCREW	M5*0.8-8	2
05Y2	QUILL SET SCREW	M10*1.5-28	1	0JAF	EXTERNAL TOOTH LOCK WASHER	φ5	2
0KMV	HEX. NUT	M10*1.5 T=8	1	0KDZ	CR. RE. PAN HD. SCREW	M6*1.0-35	2
05YD	SPINDLE ASSY		1	06HB	HEX. NUT		1
05YN	DRIVING SLEEVE ASSY		1	0KMU	SET BOLT	M10*1.5 T=8	1
05YS	PULLEY SET NUT		1	08CR	NUT	M16*2.0	2
05Z0	SPINDLE PULLEY		1	08CQ	WASHER	φ24 T=1/16	1
0HY8	DRILLING ARBOR	MT2*JT3	1	0JUJ	HEX. SOC. HD. CAP BOLT	M8*1.25-35	1
0J28	CHUCK & KEY		1	06HF	SET RING		1
05GZ	CHUCK	RJ3-16L	1	06HG	CIRCULAR NUT		1
05H0	CHUCK KEY		1	0J93	SPRING WASHER	φ10	1
05Z2	WEDGE SHIFTER		1	0J3M	WRENCH HEX.	3-57	1
0Q3S	MOTOR		1	0J3Q	WRENCH HEX.	5-70	1
0K17	HEX. HD. SCREW AND WASHER	M8*1.25-20	4	0J3R	WRENCH HEX.	6-83	1
0J7F	FLAT WASHER	5/16*7/8-5/64	4	0LRT	ROCKER SWITCH		1
0KMY	HEX. NUT	M8*1.25 · T=6.5	4	0KYN	LEAD WIRE ASSY		1
058W	MOTOR PULLEY		1	0KSQ	STRAIN RELIEF		2
0JG4	PARALLEL KEY	5*5-20	1	06SK	BULB SOCKET BRACKET		1
06SV	CLAMP-CORD		1	0SGE	SET BOLT ASSY		1
0KDU	CR. RE. PAN HD. SCREW	M6*1.0-12	3	04Q4	LABEL		1
0L66	POWER CABLE		1	0JUB	HEX. SOC. HD. CAP BOLT	M5*0.8-12	4
0KUW	TERMINAL		1	0J6T	FLAT WASHER	3/16*3/14-1/16	2
0LWG	ROCKER SWITCH ELEMENT		1	0WVG	HANDLE		1
				0WVH	UPPER TUBE		2
				0WVK	CLAMP BOLT		1
				0WVJ	SET PLATE		1
				0J3P	WRENCH HEX.	4-64	1







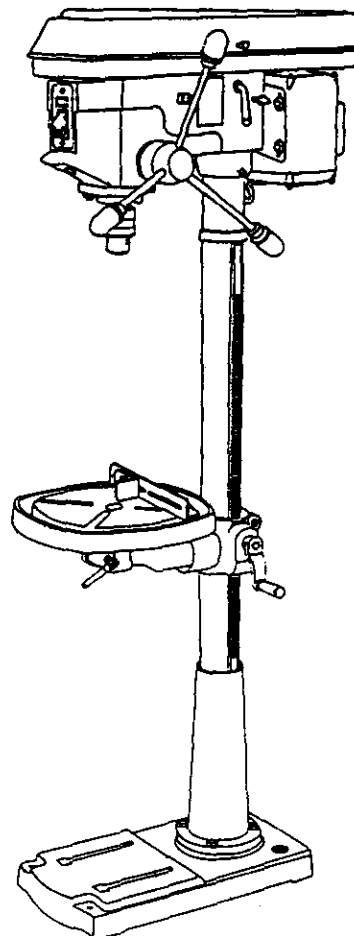
# Manual de Operación



1 HP (Potencia Máxima)  
12 Velocidades (250-3100 R.P.M.)  
Mandril de 5/8 Pulg.

## PRENSA TALADRADORA DE 15 PULG.

Modelo No.  
137.229151



### CUIDADO:

Antes de usar esta Prensa Taladradora leer este manual y seguir todas las Reglas de Seguridad e Instrucciones de Operación.

- Instrucciones de Seguridad
- Instalación
- Operación
- Mantenimiento
- Lista de Partes

**Teléfono para  
Ayuda al Cliente  
1-800-843-1682**

Sears, Roebuck and Co., Hoffman Estates, IL 60179 USA  
Part No. 137229151001

## TABLE OF CONTENTS

SECCIÓN	PÁGINA
Garantía .....	26
Especificaciones de la Herramienta .....	26
Instrucciones de Seguridad .....	27
Accesorios y Aditamentos .....	30
Contenido de la Caja .....	30
Familiarizares con la Prensa Taladradora .....	32
Glosario de Términos .....	33
Ensamblaje y Regulación .....	34
Operación .....	39
Mantenimiento .....	44
Guía para Diagnóstico de Problemas .....	45
Partes.....	46

## GARANTÍA

### GARANTÍA TOTAL DE 1 AÑO

Si esta herramienta presentase defectos de material o fabricación dentro del primer año a partir de la fecha de compra, Sears la reparará sin costo alguno.

Contactarse con un Centro de Servicio de Sears para la reparación.

Si esta herramienta se usa para fines comerciales o para alquiler, esta garantía se aplica sólo por los primeros 90 a partir de la fecha de compra.

Esta garantía le otorga derechos legales específicos y también podría usted tener otros derechos que varían de un estado a otro.

**Sears, Roebuck and Co., Dept. 817 WA, Hoffman Estates, IL 60179**

#### ▲ ADVERTENCIA

Certaines poussières provenant d'activités sur outils électriques, comme ponçage, sciage, meulage, perçage et d'autres activités relatives à la construction contiennent des produits chimiques connus pour causer cancer, anomalies congénitales ou autres risques pour la reproduction. Certains exemples de ces produits chimiques sont :

- plomb provenant de peintures à base de plomb ;
- silice cristallisée provenant des briques et du ciment et d'autres produits de maçonnerie, et
- arsenic et chrome provenant du bois chimiquement traité.

Vos risques d'être exposé à ces produits varient selon le temps passé à faire ce type de travail. Afin de réduire l'exposition à ces produits chimiques, il faut travailler dans un endroit bien aéré, et porter de l'équipement de sécurité approuvé comme des masques à poussière conçus spécialement pour le filtrage de particules microscopiques.

## ESPECIFICACIONES DE LA HERRAMIENTA

TAMAÑO DEL MANDRIL.....	5/8" (16 mm)
VELOCIDADES.....	12 (250 ~ 3,100 RPM)
MOTOR.....	120V, 60 Hz, 8 AMPS
CABALLAJE.....	1 HP (Desarrollo Máx.)
LUZ INCORPORADA.....	60 Wats (Máximo)
	(No incluye el foco)
TAMAÑO DE LA MESA.....	13-1/4"x13-1/4" (33.6 cm x 33.6 cm)
INCLINACIÓN	
DE LA MESA.....	45° A LA DERECHA O IZQUIERDA
DESPLAZAMIENTO	
DEL EJE.....	3-1/8" (8 cm)
CUELLO.....	7-1/2" (19 cm)
TAMAÑO DE LA BASE.....	11"x20-3/8" (28 cm x 52 cm)
ALTURA.....	63-1/4" (1.61 m)

#### ▲ ADVERTENCIA

El polvo creado por el lijado mecánico, aserrado, rectificado, taladrado y otras actividades empleadas en construcción contiene productos químicos que se sabe causan cáncer, defectos congénitos u otros daños al sistema reproductor. Algunos de estos productos químicos son :

- plomo proveniente de pinturas a base de plomo
- silice cristalizada de ladrillos y cemento y otros productos de albañilería y,
- arsénico y cromo de madera tratada químicamente.

Su riesgo de exposición a estos productos varía dependiendo de cuan a menudo usted hace este tipo de trabajo. Para reducir su exposición a estos productos químicos : trabaje en lugares bien ventilados y utilice equipo de seguridad aprobado, tal como máscaras contra el polvo especialmente diseñadas para filtrar partículas microscópicas.

# SEGURIDAD

## INSTRUCCIONES GENERALES DE SEGURIDAD

### ANTES DE USAR LA PRENSA TALADRADORA

La seguridad es una combinación de sentido común, mantenerse alerta y saber como usar la Prensa Taladradora.

#### ⚠ ADVERTENCIA

Para evitar errores que puedan causar lesiones serias, no conectar el taladro hasta haber leído y entendido lo siguiente:

1. **LEER** y familiarizarse con todo este manual de instrucciones. **ENTENDER** las aplicaciones, limitaciones y riesgos posibles.
2. **MANTENER LOS PROTECTORES EN POSICIÓN** y en buenas condiciones de operación.
3. **NO OPERAR EN AMBIENTES PELIGROSOS.** No usar la herramienta en lugares húmedos, mojados o expuestos a la lluvia. Mantener el área de trabajo bien iluminada.
4. **NO USAR** herramientas eléctricas en la presencia de líquidos o gases inflamables.
5. **MANTENER EL ÁREA DE TRABAJO LIMPIA.** Las áreas y mesas de trabajo congestionadas invitan a que ocurran accidentes.
6. **MANTENER A LOS NIÑOS ALEJADOS.** Todos los visitantes deben mantenerse a una distancia segura del área de trabajo.
7. **NO FORZAR LA HERRAMIENTA.** La herramienta hará un mejor trabajo y más seguro usándola sólo en la forma para la que fue diseñada.
8. **USAR LA HERRAMIENTA ADECUADA.** No forzar la herramienta al hacer un trabajo para el cual no ha sido diseñada.
9. **USAR ROPA ADECUADA.** NO usar ropa suelta, guantes, corbatas, anillos, brazaletes ni joyas que puedan quedar atrapados en las piezas móviles de la herramienta. Se recomienda usar calzado antiresbalante. Usar prendas de cabeza para cubrir o contener el cabello largo.
10. **USAR UNA MÁSCARA PARA LA CARA O PARA POLVO.** Los trabajos con taladro producen polvo.
11. **DESCONECTAR LAS HERRAMIENTAS** antes de cambiarle accesorios tales como: hojas, brocas, cortadores y similares.
12. **REDUCIR EL RIESGO DE ARRANQUES ACCIDENTALES.** Cerciorarse que el interruptor de energía esté en la posición "OFF" (Apagado) antes de enchufar la herramienta a la corriente eléctrica.
13. **USAR ACCESORIOS RECOMENDADOS.** Consultar con el manual del operador para determinar cuales son los accesorios recomendados. El uso de accesorios inapropiados puede ser peligroso y generar riesgo de lesiones personales.

14. **RETIRAR LAS HERRAMIENTAS DE REGULACIÓN.** Formarse el hábito de verificar que las herramientas y las llaves de regulación hayan sido retiradas del taladro antes de activarlo.
15. **NUNCA DEJAR DESATENDIDA UNA HERRAMIENTA ELÉCTRICA CUANDO ESTÉ FUNCIONANDO. DESCONECTAR LA FUENTE DE ENERGÍA.** No alejarse del lugar hasta que la herramienta se haya detenido por completo.
16. **NUNCA PARARSE SOBRE LA HERRAMIENTA.** Pueden ocurrir lesiones serias si la herramienta se voltea o si se entra en contacto con el taladro.
17. **NO ESTIRARSE MÁS ALLÁ DEL ALCANCE DE UNO.** Mantener los dos pies bien apoyados y el equilibrio en todo momento.
18. **DAR MANTENIMIENTO CUIDADOSO A LAS HERRAMIENTAS.** Para una operación mejor, más segura y rápida, mantener las herramientas afiladas y limpias. Seguir las instrucciones para la lubricación y cambio de accesorios.
19. **INSPECCIONAR PARA DETECTAR PIEZAS DAÑADAS.** Antes de usar la herramienta, siempre inspeccionarla cuidadosamente para cerciorarse si los protectores u otras piezas están dañadas y determinar si va a operar adecuadamente en el uso que se le va a dar. Inspeccionar si hay piezas móviles desalineadas o atracasadas; partes rotas o mal montadas, y cualquier otra condición que pueda afectar la operación de la herramienta. Si un protector o cualquier otra pieza estuviese dañada debe repararse adecuadamente o reemplazarse.
20. **ASEGURARSE QUE LOS NIÑOS NO TENGAN ACCESO AL TALLER DE TRABAJO.** Usar candados, interruptores maestros y quitar las llaves de activación.
21. **NO** operar la herramienta bajo la influencia de drogas, alcohol o medicamentos que pudiesen afectar la habilidad para operar la herramienta adecuadamente.
22. El polvo generado por ciertos materiales puede ser nocivo para la salud. Siempre operar la Prensa Taladradora en un área bien ventilada para eliminar el polvo. Cuando fuese posible, usar sistemas recolectores de polvo.



**23. SIEMPRE USAR PROTECCIÓN PARA LOS OJOS.** Cualquier Prensa Taladradora puede arrojar cuerpos extraños a los ojos que pueden causar daños permanentes a la vista. SIEMPRE usar Gafas de

Seguridad (no anteojos) que cumplan con la norma Z87.1 de ANSI. Los anteojos de uso diario sólo tienen lentes resistentes a los impactos, estos NO SON gafas de seguridad. Las Gafas de Seguridad pueden adquirirse en Sears. **NOTA:** Los anteojos o gafas que no cumplen con la norma Z87.1 de ANSI pueden causar daños serios al romperse.

## CONSERVAR ESTAS INSTRUCCIONES

## REGLAS DE SEGURIDAD ESPECÍFICAS PARA LA PRENSA TALADRADORA

### ⚠️ ADVERTENCIA

Por su propia seguridad, no tratar de usar la Prensa Taladradora ni enchufarla hasta que esté completamente ensamblada e instalada de acuerdo con las instrucciones, y hasta haber leído y entendido este manual de instrucciones:

- LA PRENSA TALADRADORA DEBE ESTAR EMPERNADA** en forma segura al banco de trabajo. Adicionalmente, si hubiese la tendencia a que el banco de trabajo Taladradora se mueva durante ciertas operaciones, empernar la prensa al piso.
- ESTA PRENSA TALADRADORA** sólo es para usarse en condiciones secas y en interiores.
- USAR PROTECCIÓN OCULAR.** USAR máscara protectora para la cara o para polvos junto con gafas de seguridad si la operación genera polvo. USAR protectores de oído, especialmente durante periodos largos de operación.
- NO** usar guantes, corbata ni ropa suelta.
- NO** intentar taladrar objetos que sean demasiado pequeños como para fijarlos con sujetadores.
- SIEMPRE** mantener las manos fuera del camino de las brocas. Evitar colocar las manos en posiciones en las cuales un resbalón súbito pueda hacer que las manos entren en contacto con la broca.
- NO** instalar ni usar brocas cuyo largo exceda 175 mm (7") o que se proyecten 150 mm (6") por debajo de las quijadas del mandril. Pueden doblarse súbitamente hacia afuera o romperse.
- NO USAR** ruedas de alambre, brocas para buriladoras, cuchillas formadoras, cortadores de círculos ni cepillos giratorios en esta Prensa Taladradora.
- CUANDO** se esté taladrando una pieza grande de material, cerciorarse que esté completamente sujeta a la altura de la mesa.
- NO** realizar operación alguna a mano libre. SIEMPRE sujetar la pieza que se esté trabajando en forma firme contra la mesa para que no se mueva o tuerza. Usar sargentas o prensas si se taladran piezas inestables.
- CERCIORARSE** que no hayan clavos ni objetos extraños en la parte de la pieza que se va a taladrar.
- FIJAR LA PIEZA DE TRABAJO CON SUJETADORES** contra el lado izquierdo de la columna para evitar que gire. Si fuese muy corta o si la mesa de la herramienta estuviese inclinada, sujetarla firmemente a la mesa y usar la guía provista.
- SI LA PIEZA DE TRABAJO** se proyecta fuera de la mesa de forma tal que se caiga o incline si no estuviese sujeta, sujetarla a la mesa o proveer un soporte auxiliar.
- FIJAR LA PIEZA DE TRABAJO.** Cuando fuese práctico, usar sargentas o una prensa para sujetar la pieza de trabajo. Es más seguro que usar la mano y dejar libre ambas manos para operar la herramienta.
- AL USAR** una prensa para taladro, siempre sujetarla a la mesa.
- CERCIORARSE QUE** todos los elementos mecánicos de sujeción estén ajustados firmemente antes de comenzar a taladrar.
- ASEGURAR EL CABEZAL CON EL SEGURO** y sujetar el soporte de la mesa a la columna, y la mesa al soporte antes de operar la Prensa Taladradora.
- NUNCA** hacer funcionar la Prensa Taladradora antes de haber despejado todo objeto de la mesa (herramientas, desechos de madera, etc.).
- ANTES DE COMENZAR** la operación, hacer funcionar el taladro brevemente a baja velocidad para cerciorarse que no se bambolee o vibre.
- PERMITIR QUE EL EJE ALCANCE SU VELOCIDAD MÁXIMA** antes de comenzar a taladrar. Si el taladro hace algún ruido que no sea familiar o vibra excesivamente, detener el trabajo inmediatamente, apagar el taladro y desenchufarlo de la corriente. No volverlo a poner en operación hasta haber corregido el problema.
- NO** realizar labores de trazado, ensamblaje ni preparación sobre la mesa cuando la herramienta esté en operación.
- USAR LA VELOCIDAD RECOMENDADA** para el accesorio y tipo de material de la pieza que se esté trabajando. VER LAS INSTRUCCIONES que vienen con el accesorio.
- AL TALADRAR** orificios de diámetro grande, fijar la pieza de trabajo con sujetadores en forma firme a la mesa. De lo contrario la broca puede agarrar la pieza que se esté trabajando y hacerla girar a gran velocidad. **NO USAR** cuchillas de fresadora ni elementos que taladren orificios múltiples porque pueden desarmarse o desbalancearse con el uso.
- CERCIORARSE** que el eje se haya detenido completamente antes de entrar en contacto con la pieza de trabajo.
- PARA EVITAR LESIONES** debidas a arranques accidentales, siempre colocar el interruptor en la posición de "OFF" (Apagado) y desenchufar el taladro antes de instalar o retirar accesorios o de realizar cualquier ajuste o regulación.
- MANTENER LOS PROTECTORES EN POSICIÓN** y en buenas condiciones de operación.
- SÓLO USAR UNA LLAVE DEL MANDRIL TIPO AUTO EXPULSANTE** como la provista con la Prensa Taladradora.

**CONSERVAR ESTAS INSTRUCCIONES**

# INSTRUCCIONES PARA LA CONEXIÓN A TIERRA

**EN EL EVENTO DE UNA FALLA O MAL FUNCIONAMIENTO,** la conexión a tierra provee una vía de menor resistencia para la corriente eléctrica, reduciendo así el riesgo de choque eléctrico. Esta herramienta está equipada con un cordón eléctrico que tiene un conductor para conexión a tierra y también con un enchufe con espiga para el mismo fin. El enchufe **DEBE** conectarse en un tomacorriente que le haga juego y que esté debidamente instalado y conectado a tierra de acuerdo con **TODOS** los códigos y ordenanzas locales.

**NO MODIFICAR EL ENCHUFE PROVISTO.** Si no entra en el tomacorriente, hacer que un electricista calificado instale un tomacorriente adecuado.

**LA CONEXIÓN INADECUADA DEL CONDUCTOR** para tierra de un equipo puede generar riesgo de choque eléctrico. El conductor con forro aislante verde (con o sin rayas amarillas) es el conductor para conexión a tierra. Si el cordón eléctrico o el enchufe requieren reparaciones o reemplazo, **NO** conectar el conductor para tierra del equipo a un terminal vivo.

**AVERIGUAR** con un electricista o personal de servicio si se tiene cualquier duda en cuanto a la conexión correcta a tierra del equipo, o si las instrucciones para la conexión a tierra no están claras.

**SÓLO USAR CORDONES DE EXTENSIÓN QUE TENGAN ENCHUFE DE TRES ESPIGAS Y UN TOMACORRIENTE QUE ACEPTE EL ENCHUFE DE LA HERRAMIENTA. REPARAR O REEMPLAZAR INMEDIATAMENTE LOS CORDONES DAÑADOS O GASTADOS.**

## RECOMENDACIONES PARA LOS CORDONES DE EXTENSIÓN

Cerciorarse que el cordón de extensión esté en buenas condiciones. Al usar un cordón de extensión, cerciorarse que sea lo suficientemente grueso para conducir la corriente que la herramienta demandará. Un cordón subdimensionado causará una caída en el voltaje de la línea causando una pérdida de potencia y recalentamiento. La tabla que aparece en esta página muestra los calibres correctos de los cordones según su extensión y el amperaje requerido por la herramienta que aparece en la placa. En caso de duda, usar el siguiente calibre más grueso. Cuanto menor el número del calibre, mayor el diámetro del alambre.

**Cerciorarse que el cordón de extensión tenga los alambres adecuados** y que esté en buenas condiciones eléctricas. Siempre reemplazar los cordones de extensión dañados o hacerlos reparar por una persona calificada antes de usarlos. Proteger los cordones de extensión de los objetos filosos, del calor o humedad excesiva y de las áreas húmedas o mojadas.

Usar un ramal de circuito independiente para esta herramienta. Este circuito debe ser de un alambre cuyo calibre no sea menor a 12 y debe estar protegido con un fusible de retardo de 15 Amps. Antes de conectar el motor a la línea de suministro eléctrico, cerciorarse que el interruptor esté en la posición de "OFF" (Apagado) y que la corriente eléctrica sea la indicada en la placa de datos del motor. Operar la herramienta con un voltaje menor puede dañar el motor.

Esta herramienta está diseñada para usarse en un circuito que tenga un tomacorriente como el ilustrado en la FIGURA A. La FIGURA (A) muestra un enchufe eléctrico y un tomacorriente de 3 contactos, uno de los cuales es un conductor para conexión a tierra. Si no se dispone de un tomacorriente con conductor para conexión a tierra, temporalmente se puede usar un adaptador (FIGURA B) para enchufarlo en un tomacorriente de 2 contactos sin conexión a tierra. El adaptador (FIGURA B) tiene un anillo rígido que le sobresale y que **DEBE** conectarse físicamente en forma permanente a tierra, tal como la caja de un tomacorriente debidamente conectado a tierra. El Código Eléctrico Canadiense prohíbe el uso de estos adaptadores.

**CUIDADO:** En todos los casos, cerciorarse que el tomacorriente en cuestión esté adecuadamente conectado a tierra. Si no se estuviese seguro, hacer que un electricista licenciado inspeccione el tomacorriente.

### ⚠ ADVERTENCIA

Esta Prensa Taladradora está diseñada únicamente para uso en interiores. No exponerla a la lluvia ni usarla en lugares húmedos.

Fig. A

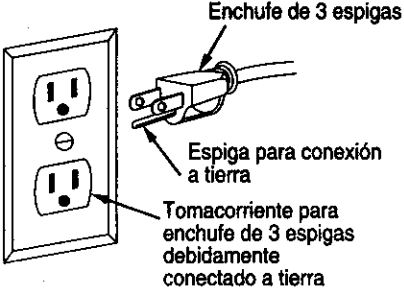
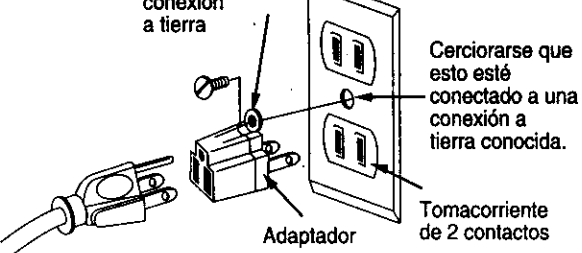


Fig. B



### ⚠ ADVERTENCIA

Para protección del operador contra choques eléctricos, esta herramienta debe estar conectada a tierra.

CALIBRE MÍNIMO DE LOS CORDONES DE EXTENSIÓN (AWG)					
(Sólo al usar 120 voltios)					
Amperaje Especificado		Longitud total del cordón en pies			
más de	no más de	25'	50'	100'	150'
0	6	18	16	16	14
6	10	18	16	14	12
10	12	16	16	14	12
12	16	14	12	no recomendado	

# CONSERVAR ESTAS INSTRUCCIONES

## ACCESORIOS Y ADITAMENTOS

### ACCESORIOS DISPONIBLES

#### ▲ ADVERTENCIA

Sólo usar accesorios recomendados para esta Prensa Taladradora. Seguir las instrucciones que acompañan a los accesorios. El uso de accesorios inadecuados puede generar riesgos.

Visitar el Departamento de Ferretería de la tienda Sears más cercana o ver el Catálogo de Herramientas Eléctricas/ Neumáticas y Manuales de Sears para los siguientes accesorios:

- Brocas para Taladro
- Sujetador y Guía
- Prensas para Prensa Taladradora
- Juego de Mortaja y Espiga para Prensa Taladradora
- Juego de Sujetadores
- Cíncel y Brocas tipo Mortaja y Espiga
- Tambores Lijadores
- Ruedas Pulidoras de hasta 4" (10 cm) de Diámetro Máximo
- Sierra para Orificios de hasta 2-1/2" (6.35 cm)

#### ▲ ADVERTENCIA

Para evitar lesiones causadas por piezas rotas o piezas de trabajo rotas expedidas, sólo usar accesorios recomendados para esta Prensa Taladradora.

Sears puede recomendar otros accesorios no listados en este manual. Visitar la tienda Sears más cercana o ver el Catálogo de Herramientas Eléctricas/Neumáticas y Manuales de Sears.

No usar accesorio alguno a menos de haber leído completamente el manual de instrucciones u operación de ese accesorio.

## CONTENIDO DE LA CAJA

### DESEMBALAJE Y VERIFICACIÓN DEL CONTENIDO

#### ▲ ADVERTENCIA

Si faltasen piezas o hubiesen piezas dañadas, no enchufar la Prensa Taladradora hasta conseguir las piezas faltantes o de reemplazar las dañadas y hasta haber completado el ensamblaje.

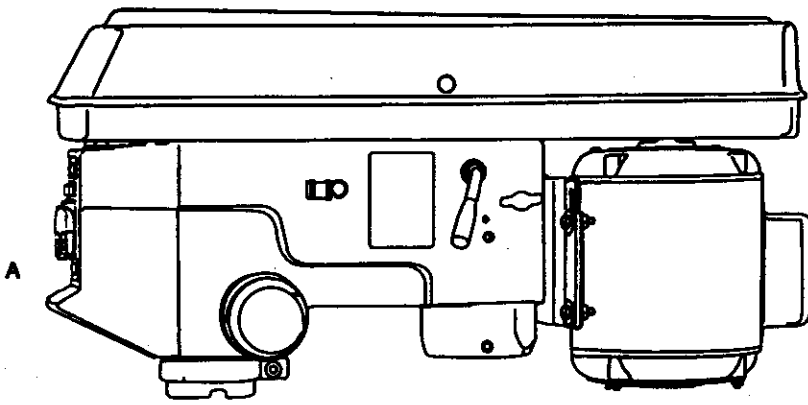
Desempaquetar cuidadosamente la Prensa Taladradora y todas sus partes y verificarlas contra la relación que está a continuación.

Para proteger la Prensa Taladradora contra la humedad, las partes maquinadas han sido recubiertas con una capa protectora que se debe remover con un paño humedecido con kerosene o WD-40.

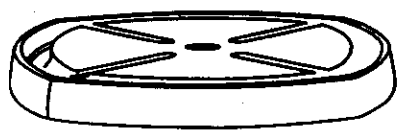
#### ▲ ADVERTENCIA

Para evitar incendios o reacciones tóxicas, nunca usar gasolina, nafta, acetona, tñner para lacas o solventes similares de alta volatilidad para limpiar la Prensa Taladradora.

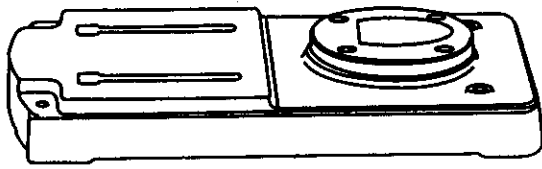
ART	DESCRIPCIÓN	CANTIDAD
A.	Cabezal	1
B.	Mesa	1
C.	Base	1
D.	Columna	1
	Bolsa con piezas sueltas:	
E.	Manijas de Avance	3
F.	Manija del Seguro	1
G.	Manivela	1
H.	Pernos Hexagonales	4
I.	Guía	1
J.	Perno Perilla de 3 Aletas	2
K.	Bloque-T	2
L.	Arandela	2
M.	Llaves Hexagonales	3
N.	Cuña	1
O.	Vástago	1
	Caja:	
P.	Llave del Mandril	1
Q.	Mandril	1



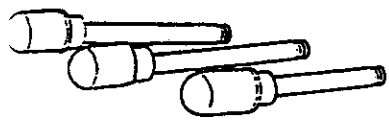
A



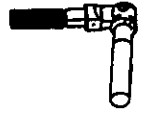
B



C



E



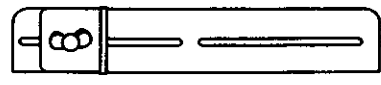
F



G



H



I



J



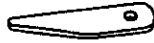
K



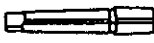
L



M



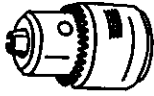
N



O

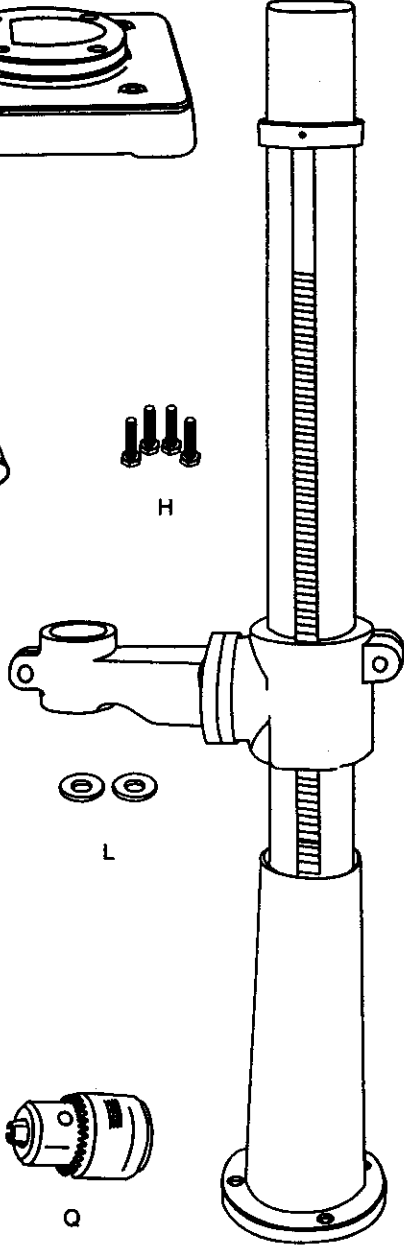


P

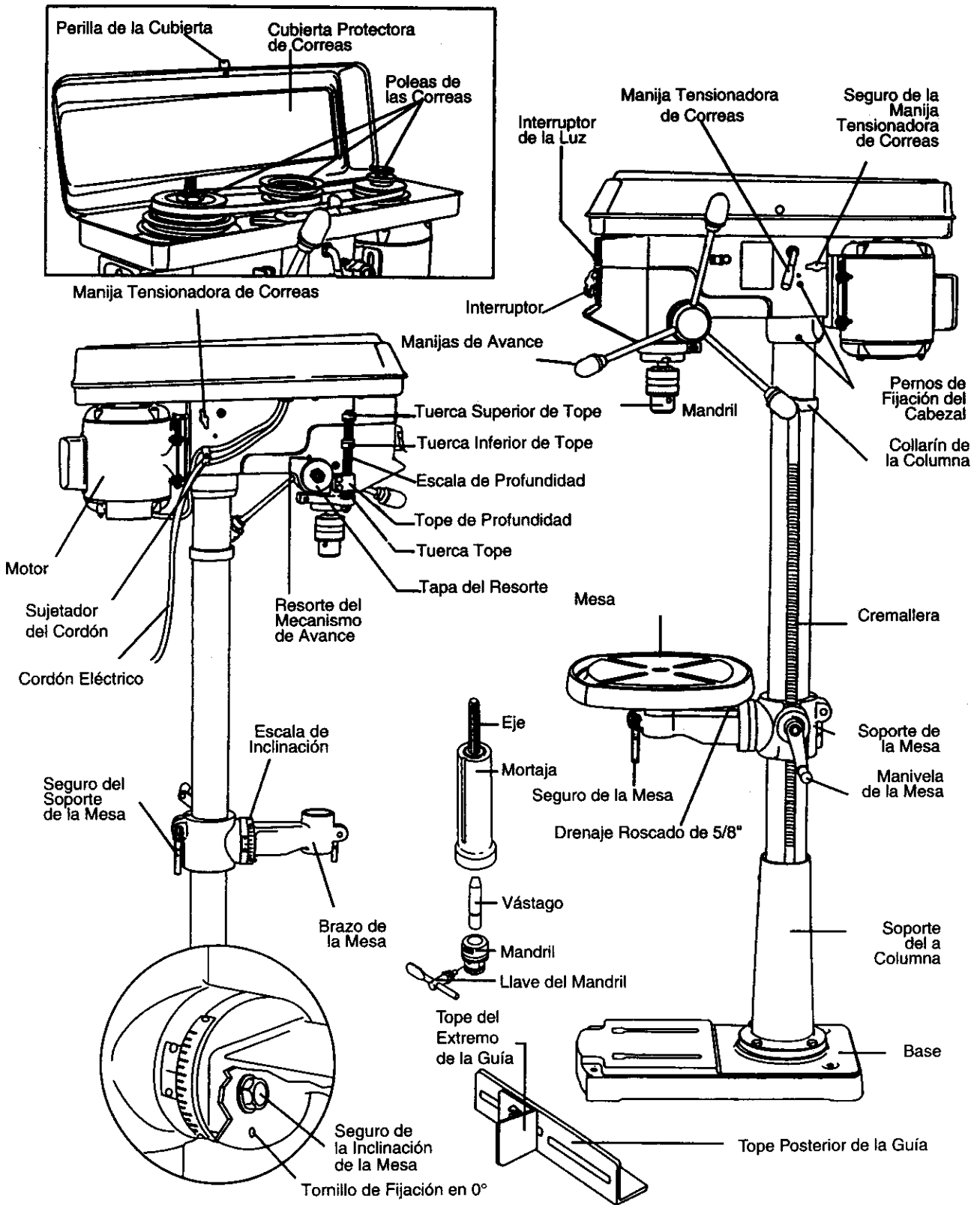


Q

D



# FAMILIARIZARSE CON LA PRENSA TALADRADORA





## GLOSARIO DE TÉRMINOS

**BASE** – Soporta la Prensa Taladradora. Para mayor estabilidad está provista de orificios para emperrar la Prensa Taladradora al piso. (Ver "Instrucciones de Seguridad Específicas para Prensas Taladradoras").

**MATERIAL DE APOYO** – Una pieza de madera de desecho que se coloca entre la pieza que se trabaja y la mesa. La madera de apoyo evita que se astille la madera que se taladra cuando la broca la atraviesa. También evita taladrar la superficie de la mesa.

**CUBIERTA PROTECTORA DE CORREAS** – Cubre las poleas y correas durante la operación de la Prensa Taladradora.

**TENSIÓN DE LAS CORREAS** – Referirse a las secciones: "Ensamblaje" e "Instalación y Tensión de Correas".

**MANIJA TENSIONADORA DE CORREAS** – Girar la manija en el sentido del reloj para tensiohar la correa y contra el sentido del reloj para aliviar la tensión.

**SEGURO DE LA MANIJA TENSIONADORA DE CORREAS** – Ajustando las manijas se fija el soporte del motor y la manija tensionadora manteniendo la distancia y tensión correcta de la correa.

**ESCALA DE INCLINACIÓN DE LA MESA** – Muestra los grados de inclinación de la mesa para los trabajos de plano inclinado. La escala está montada a un costado del brazo.

**MANDRIL** – Sujeta la broca taladradora o cualquier otro accesorio recomendado para realizar los trabajos deseados.

**LLAVE DEL MANDRIL** – Una llave que se autoeyecta del mandril cuando se le suelta. Esta acción está diseñada para evitar que la llave salga disparada del mandril cuando se active la herramienta. No usar llaves substitutas. Si se deteriora o pierde, ordenar una llave nueva.

**COLUMNA** – Es un tubo que conecta el cabezal, la mesa y la base para facilitar su alineamiento y movimiento.

**COLLARÍN DE LA COLUMNA** – Sujeta la cremallera a la columna. La cremallera se mantiene móvil en el collarín para permitir los movimientos del soporte de la mesa.

**SOPORTE DE LA COLUMNA** – Soporta la columna, guía la cremallera y provee orificios para montar la columna a la base.

**TUERCAS DE TOPE DE LA ESCALA DE PROFUNDIDAD** – Fija el eje a la profundidad seleccionada.

**ESCALA DE PROFUNDIDAD** – Indica la profundidad del orificio que se está taladrando.

**BROCA** – La herramienta que se usa en la Prensa Taladradora para hacer los orificios en la pieza de trabajo.

**INTERRUPTOR DEL TALADRO** – Tiene un dispositivo de seguro. Este dispositivo está diseñado para evitar el uso no autorizado y posiblemente peligroso por niños y otras personas. Insertar la llave en el interruptor y girarla para poner el taladro en operación.

**VELOCIDAD DE TALADRADO** – Se cambia colocando la correa en cualquiera de las poleas. Ver la Tabla de Velocidades en la parte interna de la cubierta protectora de las correas.

**MANIJAS DE AVANCE** – Mueven el mandril hacia arriba y abajo. Si fuese necesario, se pueden quitar una o dos manijas cuando la pieza de trabajo sea de una forma tan inusual que interfiera con las manijas.

**GUÍA** – Se monta en la mesa y sirve para alinear la pieza de trabajo o para hacer perforaciones repetitivas en forma rápida. Es desmontable. Sacarla cuando interfiera con los accesorios de la Prensa Taladradora.

**SEGUROS DEL CABEZAL** – Fija el cabezal en la columna. SIEMPRE fijar el cabezal en posición con los seguros cuando se opere la Prensa Taladradora.

**CREMALLERA** – Funciona en combinación con el mecanismo de engranajes. Sirve para facilitar la elevación de la mesa operando a mano la manivela de la mesa.

**REVOLUCIONES POR MINUTO (R.P.M.)** – El número de vueltas completas que un objeto giratorio da en un minuto.

**VELOCIDAD DEL EJE** – Las R.P.M. del eje.

**TAPA DEL RESORTE** – Regula la tensión del resorte de la mortaja.

**SEGURO DEL SOPORTE DE LA MESA** – Al ajustarlo los seguros se ajusta el soporte de la mesa a la columna. Siempre tenerlo puesto cuando se opere la Prensa Taladradora.

**MESA** – Provee una superficie de trabajo para apoyar la pieza de trabajo.

**BRAZO DE LA MESA** – Se proyecta más allá del soporte de la mesa para montar la mesa y alinearla.

**PERILLA DE SEGURO DE LA INCLINACIÓN DE LA MESA** – Fija la mesa en cualquier ángulo de inclinación de 0° a 45°.

**MANIVELA DE LA MESA** – Sirve para subir y bajar la mesa. Girarla en el sentido del reloj para elevar la mesa. Debe soltarse el seguro del soporte antes de operar la manivela.

**SEGURO DE LA MESA** – Fija la mesa en posición después de colocarla en cualquier posición.

**SOPORTE DE LA MESA** – Se desplaza en la columna para soportar el brazo de la mesa y la mesa.

**DRENAJE ROSCADO DE (5/8")** – Instalar un tubo metal (roscado) en el orificio roscado para drenar el exceso de aceite a un contenedor. Para lograr una superficie sin drenaje, instalar un tapón roscado de metal. No se incluyen el tubo ni el tapón.

**PIEZA DE TRABAJO** – El material que se taladra.

# ENSAMBLAJE Y REGULACIÓN

## INSTRUCCIONES PARA EL ENSAMBLAJE

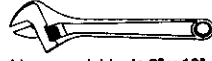
### ⚠ ADVERTENCIA

Por su propia seguridad, nunca enchufar en el tomacorriente hasta haber completado todos los pasos del ensamble la regulación, y hasta haber leído y entendido las instrucciones de seguridad y operación.

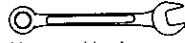
### HERRAMIENTAS NECESARIAS



Desarmador Plano



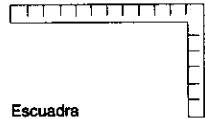
Llave regulable de 8" y 10"



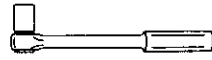
Llave combinada



Escuadra combinada



Escuadra



Llave ratchet con dado de 23 mm

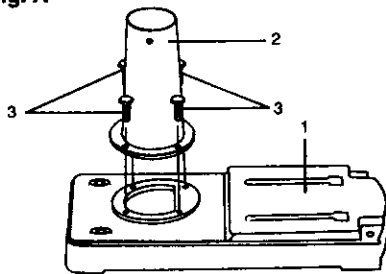
### ⚠ ADVERTENCIA

La Prensa Taladradora es muy pesada y para ensamblarse en forma segura DEBE levantarse con la ayuda de 2 personas o más.

### SOPORTE DE LA COLUMNA A LA BASE (FIG. A)

1. Colocar la base (1) en el piso.
2. Colocar la columna (2) en la base alineando los orificios en el soporte de la columna con los orificios de la base.
3. Ubicar los cuatro pernos hexagonales largos (3) en la bolsa con piezas sueltas.
4. Colocar un perno en cada orificio del soporte de la columna y de la base. Ajustar con una llave regulable.

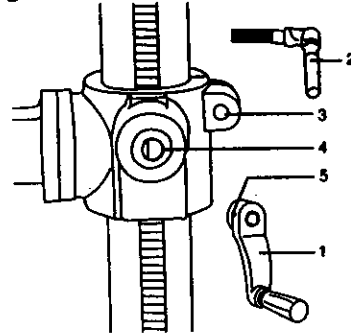
Fig. A



### INSTALACIÓN DE LA MESA (FIG. B Y C)

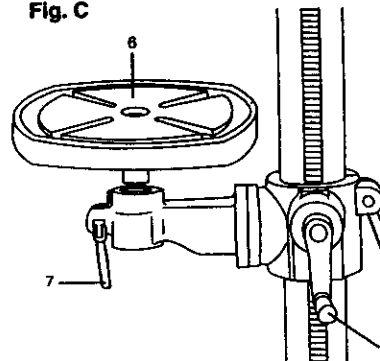
1. Ubicar la manivela de la mesa (1) y el seguro del soporte (2) en la bolsa con piezas sueltas.
2. Insertar el manguito del seguro del soporte en el orificio (3) que está en la parte posterior del soporte de la mesa. Ajustar a mano.
3. Instalar la manivela en el eje pequeño (4), alinear el perno de fijación (5) con la superficie plana del eje. Ajustar el perno de fijación con una llave hexagonal.

Fig. B



4. (FIG. C) Aflojar el seguro del soporte (2). Elevar el brazo de la mesa girando la manivela (1) en el sentido del reloj. Ajustar la manija del seguro de la mesa.
5. Colocar la mesa (6) en el brazo de la mesa. Ajustar la manija (7) del seguro de la mesa.

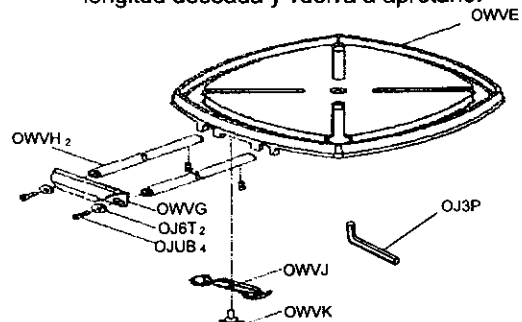
Fig. C



### INSTALACIÓN DEL ALA DE EXTENSIÓN

1. Coloque el mango (OWVG) en el tubo superior (OWVH).
2. Inserte las arandelas planas (OJ6T) en los tornillos hexagonales (OJUB). Inserte el perno (OJUB) en el tubo superior (OWVH) y apriételo.
3. Inserte los tornillos hexagonales (OJUB) en el tubo superior (OJUB) y apriételos.
4. Coloque el conjunto del tubo superior debajo de la mesa.
5. Coloque el conjunto de placas (OWVJ) en el perno de cierre (OWVK). Inserte el conjunto de placas en la mesa y apriételo.

**NOTA:** si es necesario ajustar la longitud, afloje el perno de cierre (OWVK) hasta alcanzar la longitud deseada y vuelva a apretarlo.



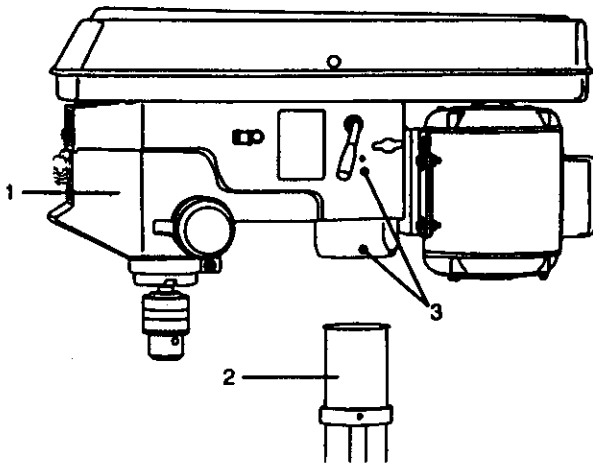
## INSTALACIÓN DEL CABEZAL (FIG. D)

### ⚠ ADVERTENCIA

El cabezal de la Prensa Taladradora es muy pesada y para ensamblarse en forma segura en la columna DEBE levantarse con la ayuda de 2 PERSONAS O MÁS.

1. Levantar el cabezal (1) cuidadosamente sobre la columna (2) y deslizarla en la columna. Cerciorarse que el cabezal se deslice tan abajo en la columna como sea posible. Alinear el cabezal con la base.
2. Usando una llave hexagonal, ajustar los dos pernos de fijación (3) en el lado derecho del cabezal.

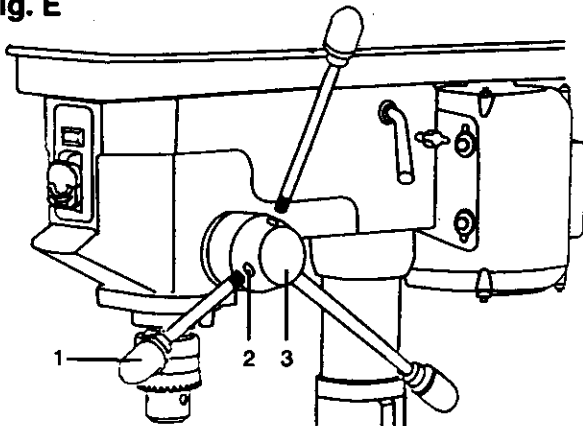
Fig. D



## INSTALACIÓN DE LAS MANIJAS DE AVANCE (FIG. E)

1. Ubicar las tres manijas de avance en la bolsa de piezas sueltas.
2. Insertar y enroscar las manijas (1) en los orificios roscados (2) del cubo (3). Ajustar.

Fig. E

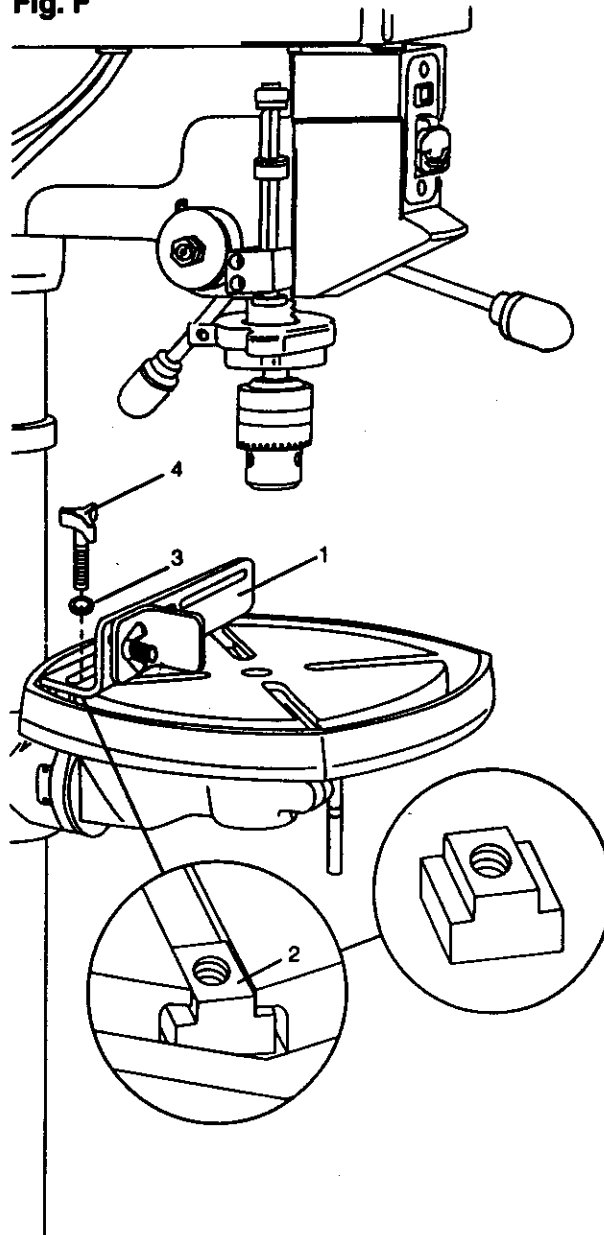


## ENSAMBLAJE DE LA GUÍA (FIG. F)

Esta Prensa Taladradora tiene una masa con la superficie acanalada.

1. Determinar la ubicación deseada para la guía (1). Deslizar los bloques T (2) en los canales adecuados como se muestra.
2. Alinear los orificios de montaje de la guía sobre los orificios roscados en los bloques T.
3. Colocar una arandela (3) en la espiga roscada de la perilla (4). Insertar la espiga de la perilla en el orificio de montaje de la guía en el bloque T y ajustar.
4. Repetir el procedimiento para las otras manijas y el otro bloque T.

Fig. F

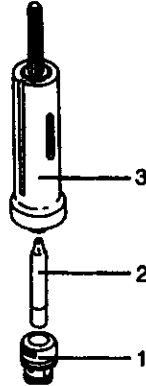


### INSTALACIÓN DEL MANDRIL (FIG. G, H, I)

1. Limpiar el orificio ahusado en el mandril (1) con un paño limpio.
2. Limpiar las superficies ahusadas del vástago (2) y del eje (3).

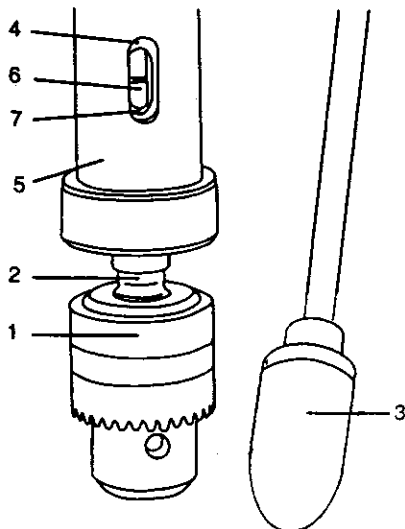
**CUIDADO:** Cerciorare que no hayan cuerpos extraños adheridos a las superficies. La partícula de tierra más pequeña en estas superficies evitará que el mandril se asiente apropiadamente. Esto hará que el mandril del taladro y la broca se bamboleen. Si el orificio ahusado estuviese extremadamente sucio, emplear un solvente limpiador.

Fig. G



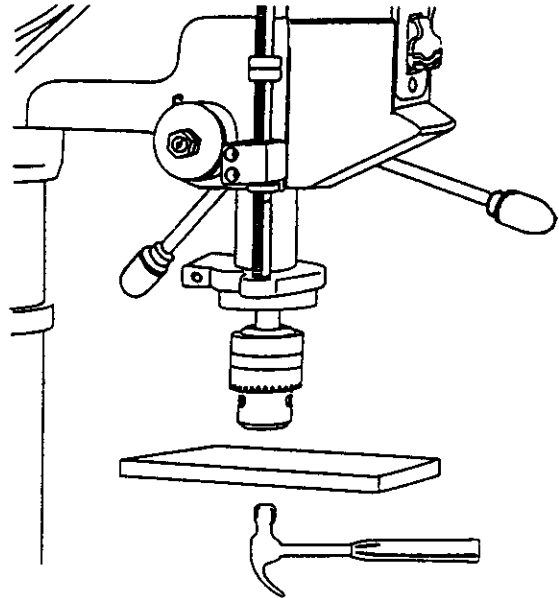
3. (FIG H) Colocar el mandril (1) en el vástago (2). Golpearlo levemente para cerciorarse que se asiente.
4. Bajar el eje girando las manijas de avance (3) contra el sentido del reloj, hasta que aparezca la ranura (4) en la mortaja (5).
5. Empujar el mandril y el vástago hacia arriba dentro de la mortaja, cerciorándose que el extremo superior angosto del vástago (6) enganche y se asegure en la ranura interior (7) del eje. Esto se puede ver por la ranura exterior (4) de la mortaja haciendo girar el mandril y el vástago hasta que las dos ranuras se alineen.
6. Abrir las mandíbulas del mandril (1) girando la manga del mandril en el sentido del reloj. Para evitar daños, cerciorarse que las mandíbulas estén completamente retraídas dentro del mandril.

Fig. H



7. Usando un mazo de caucho o martillo con cabeza de plástico o un bloque de madera y un martillo, golpearlo levemente hacia arriba hasta que encaje en posición en el eje.

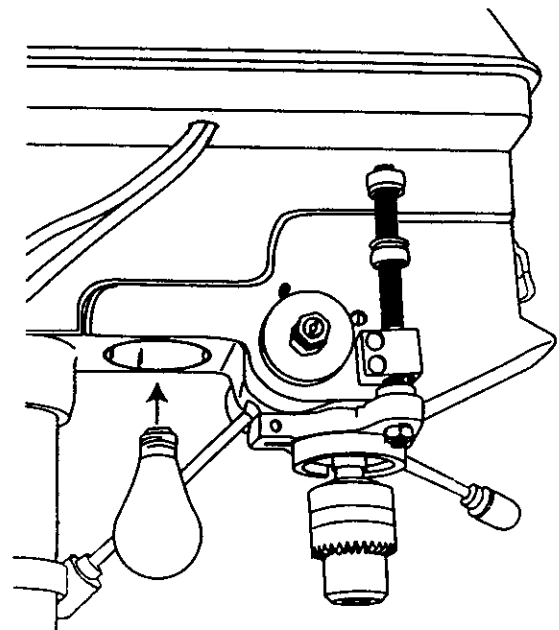
Fig. I



### INSTALACIÓN DEL FOCO DE LUZ (FIG. J) (No viene incluido)

1. Instalar el foco de luz (de máximo 60 wats) en el porta foco que está dentro del cabezal.

Fig. J



## REGULACIÓN DE LA PRENSA TALADRADORA

**CUIDADO:** Todos los ajustes y regulaciones necesarias para la operación de la Prensa Taladradora han sido hechas en la fábrica. Debido al uso y desgaste normal, ocasionalmente podrían requerirse algunos reajustes.

### ⚠ ADVERTENCIA

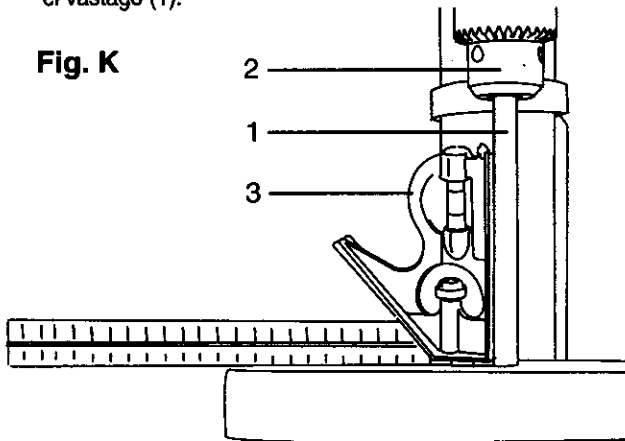
Para evitar lesiones personales, siempre desconectar el enchufe del tomacorriente antes de hacer cualquier regulación.

### PARA PONER LA MESA A ESCUADRA CON EL CABEZAL (FIG. K y L)

**NOTA:** El brazo y el soporte de la mesa ya vienen con un orificio que trae insertado un tornillo para fijar la mesa en una posición horizontal predeterminada de 0°. Aflojar el tornillo para cambiar el ángulo de la mesa.

1. Insertar un vástago (1) de acero pulido a precisión, de 1/4" de diámetro o más, de aproximadamente 3" de largo dentro del mandril (2). Ajustar las mandíbulas del mandril.
2. Elevar la mesa a la altura requerida para trabajar y asegurarla en posición.
3. Usando una escuadra combinada (3), colocar un extremo sobre la mesa y alinear el otro extremo verticalmente con el vástago (1).

Fig. K



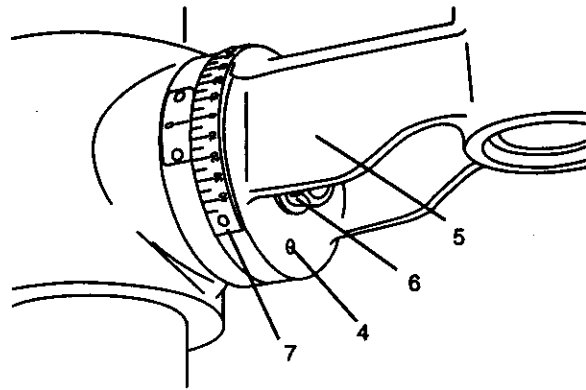
4. Si se necesita hacer una regulación, aflojar el perno de fijación (4) con una llave hexagonal de 3mm para SACAR la mesa de la posición horizontal.
5. Aflojar el perno grande de cabeza hexagonal que fija el ángulo de inclinación de la mesa.

### ⚠ ADVERTENCIA

Para evitar lesiones, cerciorarse de sujetar la mesa y el brazo de la mesa de tal forma que no gire ni se incline.

6. Alinear la escuadra con el vástago girando la mesa hasta que la escuadra y el vástago queden alineadas.
7. Volver a ajustar el perno hexagonal grande (6).

Fig. L



### ESCALA DE INCLINACIÓN (FIG. L y M)

**NOTA:** Se ha incluido la escala de inclinación para medir el ángulo de inclinación en forma aproximada. Si se requiere precisión para la posición de la mesa, se debe utilizar una escuadra u otra herramienta de medición. Para usar la escala de inclinación (7):

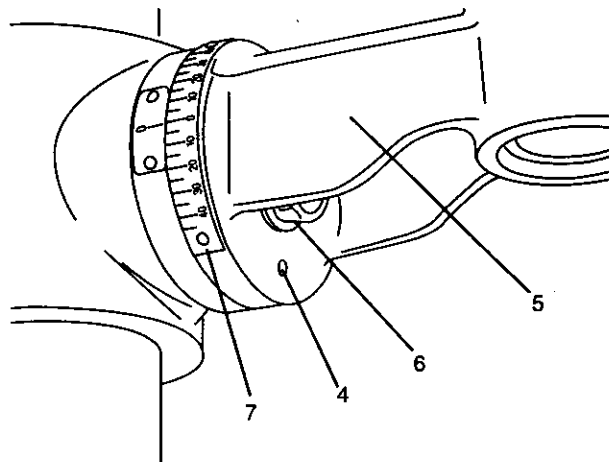
1. Aflojar el perno de fijación (4) para SOLTARLO del soporte de la mesa.
2. Aflojar el perno grande de cabeza hexagonal (6) que fija la inclinación de la mesa.

### ⚠ ADVERTENCIA

Para evitar lesiones, cerciorarse de sujetar la mesa y el brazo de la mesa de tal forma que no gire ni se incline.

3. Inclinarse la mesa, alineando el ángulo deseado con relación a la línea "cero" en la escala opuesta (7).
4. Ajustar el perno que fija la inclinación de la mesa (6).
5. Para regresar la mesa a su posición original, aflojar el perno que fija la inclinación de la mesa (6). Volver a alinear la escala de inclinación (7) con la posición 0°.
6. Ajustar el perno de fijación (4) en el orificio de fijación horizontal a 0° hasta que se asiente contra el soporte de la mesa.

Fig. M



### ⚠ ADVERTENCIA

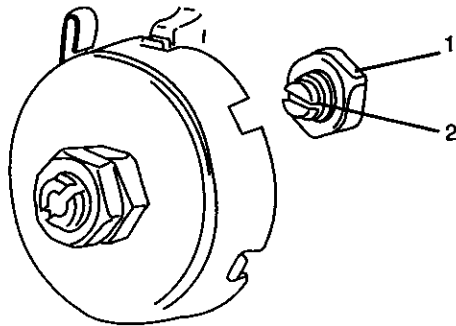
Para evitar lesiones personales, siempre desconectar el enchufe del tomacorriente antes de hacer cualquier regulación.

### EJE/MORTAJA (FIG. N)

Girar las manijas de avance contra el sentido del reloj para bajar el eje hasta su posición más baja. Sujetar el eje firmemente con la mano y moverlo hacia atrás y hacia adelante sobre su eje. Si tuviese demasiado juego, hacer lo siguiente:

1. Aflojar la contratuerca (1).
2. Para eliminar el juego, girar la punta ranurada del perno (2) en el sentido del reloj, pero sin obstruir el movimiento hacia arriba que el eje tiene. (Un pequeño juego del eje es normal).
3. Ajustar la contratuerca (1).

Fig. N



### RESORTE DE RETORNO DE LA MORTAJA (FIG. O)

El resorte de retorno de la mortaja podría requerir regulación si su tensión hace que la mortaja regrese demasiado rápido o demasiado lento.

1. Bajar la mesa para lograr una mayor separación.
2. Colocar un desarmador en la ranura (1) frontal inferior de la tapa (2) del resorte. Sostenerla en posición a la vez que se afloja y se saca la contratuerca exterior (3).
3. Con el desarmador aun enganchado en la ranura, aflojar la tuerca interior (4) justo hasta que la ranura (5) se desenganche de su sujetador (6) en el cabezal de la Prensa Taladradora.

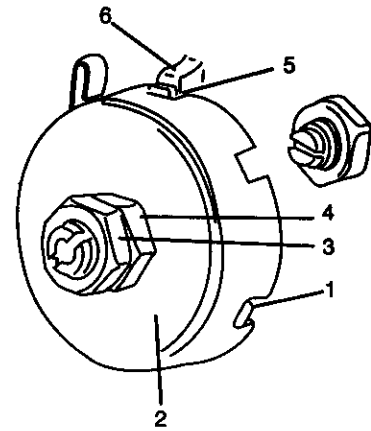
**CUIDADO: NO SACAR ESTA TUERCA INTERIOR,** porque el resorte se desbobinará con fuerza.

4. Usando un desarmador, girar cuidadosamente la tapa (2) del resorte contra el sentido del reloj hasta que la siguiente ranura enganche.
5. Bajar la mortaja hasta su posición más baja girando la manija de avance contra el sentido del reloj mientras se sujeta la tapa (2) del resorte en posición.
6. Si la mortaja se mueve hacia arriba y hacia abajo con la facilidad deseada, ajustar la tuerca estándar (4) con una llave regulable. Si estuviese demasiado floja, repetir los pasos 2 al 5 para ajustarla. Si estuviese demasiado ajustada, ejecutar los pasos 4 y 5 a la inversa.

**NO SOBREAJUSTAR** ni restringir el movimiento de la mortaja.

7. Volver a colocar la contratuerca (3) y ajustarla contra la tuerca estándar (4) para evitar que la tuerca estándar se regrese.

Fig. O



### ⚠ ADVERTENCIA

Para evitar lesiones debidas a un arranque accidental, antes de hacer ajustes a las correas, SIEMPRE cerciorarse que el interruptor esté en la posición "OFF" (Apagado), que la llave del interruptor haya sido retirada y que el enchufe no esté conectado al tomacorriente.

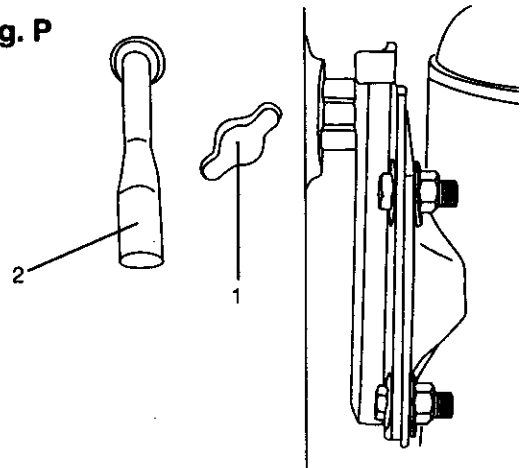
### TENSIÓN DE LAS CORREAS (FIG. P)

Cerciorarse que las poleas estén debidamente alineadas como se muestra en la Figura R en la página 15.

1. Para aflojar la tensión de la correa, girar (contra el sentido del reloj) los seguros de las manijas tensionadoras de correas (1) que se encuentran a cada lado del cabezal del taladro.
2. Templar las correas girando en el sentido del reloj la manija tensionadora de las correas (2).
3. Aflojar las correas girando en contra del sentido del reloj la manija tensionadora de las correas (2). Colocar las correas en las poleas adecuadas para lograr la velocidad deseada.
4. Ajustar los seguros de las manijas tensionadoras girándolos en el sentido del reloj.

**NOTA:** La tensión de la correa es la correcta si al presionar el punto intermedio de la correa, ésta se mueve más o menos 1.3 cm (1/2").

Fig. P



## ⚠ ADVERTENCIA

Para evitar lesiones debidas a un arranque accidental, SIEMPRE cerciorarse que el interruptor esté en la posición OFF (Apagado) y desconectar el enchufe del tomacorriente antes de hacer cualquier regulación.

### ALINEAMIENTO DE LAS POLEAS DE LAS CORREAS (FIG. Q)

Abrir la cubierta protectora de las correas en la Prensa Taladradora. Verificar el alineamiento de las poleas, con una regla (5), escuadra, nivel o pedazo de madera recta. Colocar el borde de la regla a lo largo de la parte superior de las poleas. Si todas las poleas estuviesen desalineadas:

1. Aliviar la tensión de las correas aflojando los seguros de las manijas tensionadoras (4) de correas a cada lado del cabezal, desenganchando las manijas tensionadoras (1) de correas.
2. Aflojar las tuercas (2) de montaje del motor. Subir o bajar el motor (3) hasta que las poleas queden alineadas.
3. Ajustar las tuercas (2) de montaje del motor usando una llave regulable.

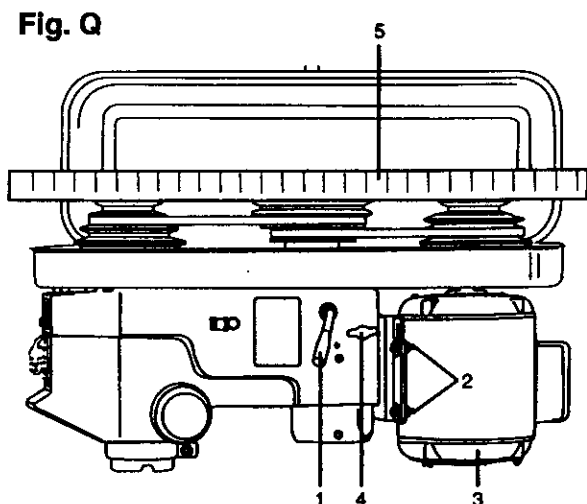
**NOTA:** Para evitar traqueteos y otros ruidos, el casco del motor no debe tocar la parte inferior del casco de la correa.

4. Volver a ajustar las correas girando en el sentido del reloj la manija tensionadora (1), hasta que la correa se deflexione 1.2 cm (1/2") al presionar la correa en el medio.

**NOTA:** Referirse a la tabla que se encuentra en la parte interior de la cubierta protectora de las correas, para obtener las posiciones de las poleas recomendadas para las distintas velocidades de taladrado.

5. Ajustar los seguros de la manija tensionadora (4), girándolos en el sentido del reloj.

**NOTA:** Cuando las correas están nuevas, puede ser difícil moverlas. Conforme se usa la máquina, las correas se volverán más elásticas y serán más fáciles de regular.



## OPERACIÓN

### OPERACIONES BÁSICAS DE LA PRENSA TALADRADORA

#### VELOCIDADES Y POSICIÓN DE LAS CORREAS (FIG. R.)

Esta prensa taladradora tiene 12 velocidades como se indica continuación:

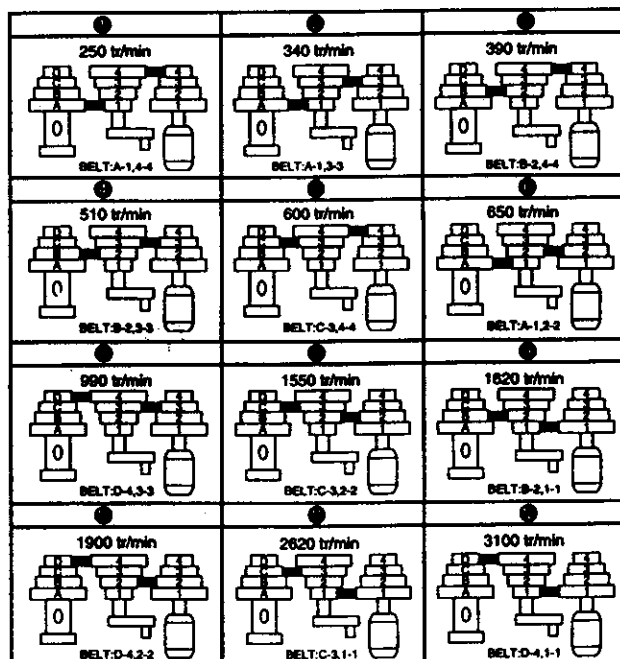
250 RPM	600 RPM	1620 RPM
340 RPM	650 RPM	1900 RPM
390 RPM	990 RPM	2620 RPM
510 RPM	1550 RPM	3100 RPM

Referirse a la tabla en la parte interior de la cubierta de la correa para obtener la posición específica de las correas en las poleas para cada velocidad.

## ⚠ ADVERTENCIA

Para evitar posibles lesiones, mantener la cubierta cerrada, en su lugar y en buenas condiciones mientras la herramienta esté operando.

Fig. R

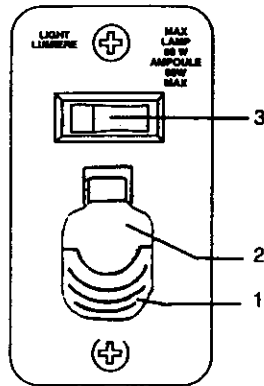


### PANEL DEL INTERRUPTOR ON/OFF (Prender/Apagar) (FIG. S)

El interruptor de "PRENDER/APAGAR" (ON/OFF) tiene una llave retirable de plástico amarillo. Con la llave retirada del interruptor, se minimiza la posibilidad del uso no autorizado y peligroso por parte de niños y otras personas.

1. Para prender la Prensa Taladradora, presionar "ON" (Prender), insertar la llave (1) en la ranura del interruptor (2) y mover el interruptor hacia arriba a la posición de "ON" (Prender).
2. Para apagar la Prensa Taladradora, mover el interruptor hacia abajo.
3. Para enganchar el interruptor en la posición "OFF" (Apagado), tomar el extremo o parte amarilla del interruptor y halarlo hasta que salga.
4. El interruptor no operará sin la llave.
5. Si se retira la llave del interruptor cuando la Prensa Taladradora está operando, ésta podrá apagarse pero luego no podrá volverse a prender si no se inserta la llave.
6. Presionar el interruptor oscilante para prender la luz de trabajo.
7. Nunca dejar desatendida la prensa taladradora. Apagar la luz y la Prensa Taladradora y esperar a que deje de girar por completo.

Fig. S



#### ⚠ ADVERTENCIA

SIEMPRE ponerle seguro al interruptor en la posición "OFF" (Apagado) cuando la Prensa Taladradora no esté en uso. Retirar la llave y mantenerla en un lugar seguro. En caso de una falla de suministro eléctrico, fusible volado o interruptor de circuito abierto, mover el interruptor a la posición de "OFF" (Apagado) y retirar la llave, evitando así un arranque accidental cuando se restablezca el suministro eléctrico.

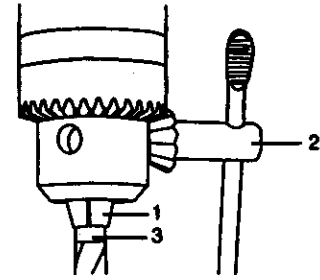
### INSTALACIÓN DE LA BROCA EN EL MANDRIL (FIG. T)

1. Con el interruptor en la posición "OFF" (Apagado) y con la llave amarilla del interruptor retirada, abrir las mandíbulas (1) usando la llave (2) del mandril. Girar la llave del mandril contra el sentido del reloj para abrir las mandíbulas (1).
2. Insertar la broca (3) en la mandíbula lo suficiente como para obtener el máximo de agarre por las mandíbulas; pero no tanto como para que las mandíbulas toquen las (ranuras) de la broca cuando se ajusten las mandíbulas.
3. Asegurarse que la broca esté centrada en el mandril.
4. Girar la llave del mandril en el sentido del reloj para ajustar las mandíbulas.

#### ⚠ ADVERTENCIA

Para evitar lesiones o accidentes causados por la llave del mandril saliendo disparada con fuerza cuando se active la Prensa Taladradora, sólo usar la llave de mandril autoeyectante provista con esta Prensa Taladradora. SIEMPRE verificar y retirar la llave del mandril antes de activar la Prensa Taladradora.

Fig. T



#### ⚠ ADVERTENCIA

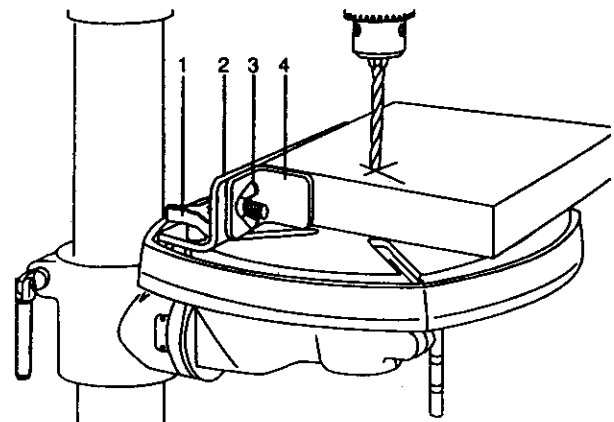
Para evitar que la pieza de trabajo o la material de apoyo se suelten de las manos, se DEBEN posicionar contra el lado IZQUIERDO de la columna. Si la pieza de trabajo o la madera de respaldo son lo suficientemente largas como para alcanzar la columna, prensarlas a la mesa o usar la guía provista con la Prensa Taladradora para sujetar el material. No Sujetar la pieza de trabajo puede causar lesiones.

### USO DE LA GUÍA (FIG. U)

La guía provee un método de preparar la pieza de trabajo con rapidez para taladrar con precisión en forma repetitiva.

1. Usando un centro punzón o clavo puntiagudo punzar la pieza de trabajo en el lugar donde se desea hacer el orificio.
2. Bajar la broca para alinearla con la punzadura en la pieza de trabajo. Ver "PARA MANTENER LA BROCA EN LA POSICIÓN DE LA PERFORACIÓN" página 19.
3. Aflojar las manijas (1) y deslizar el Tope Posterior de la Guía (2) con firmeza contra el lado izquierdo de la pieza de trabajo. Ajustar las manijas cuando la guía esté en posición.
4. Aflojar la tuerca mariposa (3) y deslizar el Tope del Extremo de la Guía (4) a lo largo de la Guía hasta que quede firme contra el lado izquierdo de la pieza de trabajo. Ajustar la tuerca mariposa.
5. Verificar la precisión taladrando cualquier pieza de desecho. Regular si fuese necesario.
6. Para evitar que la pieza de trabajo se levante de la mesa al elevar la broca, sostenerla de la parte superior con la mano o con sujetadores.

Fig. U





### TALADRADO A UNA PROFUNDIDAD ESPECÍFICA (FIG. V)

Cuando se desea taladrar un orificio ciego hasta una profundidad específica sin atravesar la pieza completamente, se pueden hacer dos cosas:

#### Método: Usando la Pieza de Trabajo

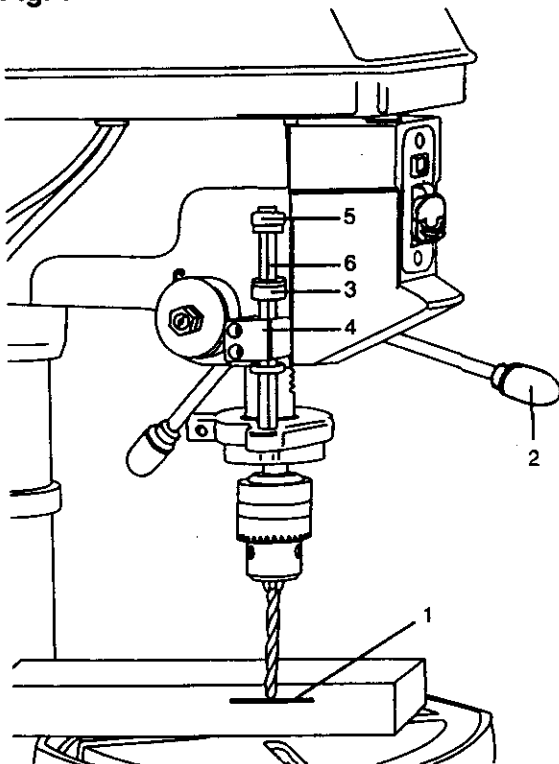
1. Marcar la profundidad (1) del orificio al costado de la pieza.
2. Con el interruptor en "OFF" (Apagado), bajar la broca hasta que la punta esté al mismo nivel que la marca.
3. Mantener la manija de avance (2) en esta posición.
4. Girar la tuerca inferior (3) bajándola hasta que haga contacto con el tope de profundidad (4) en el cabezal.
5. Girar la tuerca superior (5) bajándola hasta ajustarla contra la tuerca inferior (3).
6. Ahora la broca parará después de bajar la distancia marcada en la pieza de trabajo.

#### Método: Usando la Escala de Profundidad

NOTA: Con el mecanismo de avance del mandril libre y la punta de la broca apenas tocando la superficie de la pieza de trabajo, proceder de la siguiente manera:

1. Con el interruptor en "OFF" (Apagado), girar la manija de avance (2) hasta que el tope de profundidad (4) indique la profundidad deseada en la escala de profundidad (6) y mantener la manija de avance en esa posición.
2. Girar la tuerca inferior (3) bajándola hasta que haga contacto con el tope de profundidad (4).
3. Girar la tuerca superior (5) bajándola hasta ajustarla contra la tuerca inferior (3) y ajustarla.
4. La broca parará después de bajar la distancia seleccionada en la escala de profundidad.

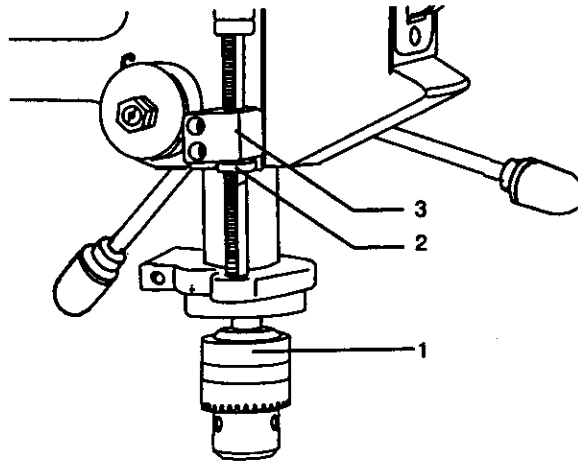
Fig. V



### FIJACIÓN EL MANDRIL A LA PROFUNDIDAD DESEADA (FIG. W)

1. Con el interruptor (Apagado) "OFF", girar las manijas de elevación hasta que el mandril (1) esté a la profundidad deseada. Mantener la manija de elevación en esta posición.
2. Girar contra el sentido del reloj y hacia arriba la tuerca tope (2) ubicada bajo el tope de profundidad (3), hasta que haga contacto con el tope de seguridad.
3. Ahora el mandril se mantendrá en esta posición cuando se suelte la manija de elevación.

Fig. W

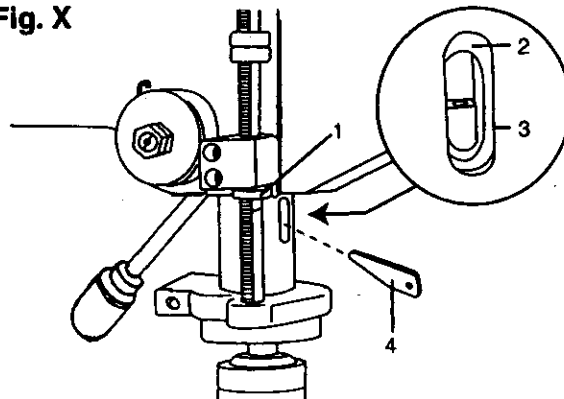


### DESMONTAJE DEL MANDRIL Y DEL VÁSTAGO (FIG. X)

1. Con el interruptor en "OFF" (Apagado), regular tuerca (1) de tope de profundidad para mantener el taladro a una profundidad de 7.6 cm (3"). (Ver las instrucciones "FIJACIÓN DEL MANDRIL A LA PROFUNDIDAD DESEADA").
2. Alinear los orificios para llave en el eje (2) y el mortaja (3) girando el mandril a mano.
3. Insertar la chaveta (4) en las ranuras (2 y 3).
4. Golpear levemente la chaveta (4) con un martillo con cabeza de plástico, hasta que el mandril y el vástago salgan de la mortaja.

NOTA: Colocar una mano debajo del mandril para agarrarlo cuando caiga.

Fig. X



## INSTRUCCIONES BÁSICAS PARA LA OPERACIÓN

Seguir estas instrucciones para operar la Prensa Taladradora y lograr los mejores resultados y minimizar la posibilidad de lesiones.

### ▲ ADVERTENCIA

Por su propia seguridad, siempre obedecer las INSTRUCCIONES de seguridad que se indican aquí y en las páginas 3, 4 y 5 del manual de instrucciones.

## PROTECCIÓN DEL OPERADOR

### ▲ ADVERTENCIA

No usar ropa suelta, guantes, collares ni joyas para evitar ser atrapado por la herramienta. Siempre atar el pelo largo hacia atrás.

- 1) Si alguna pieza de la Prensa Taladradora estuviese faltando, rota o dañada, o no opera debidamente; dejar de operarla de inmediato hasta que esa pieza haya sido reparada apropiadamente o reparada.
- 2) Nunca colocar los dedos en una posición tal que puedan entrar en contacto con la broca o con cualquier otra pieza cortante. La pieza de trabajo podría moverse o la mano podría resbalarse inesperadamente.
- 3) Seguir las instrucciones al pie de la letra al regular la tensión del resorte de la mortaja para evitar lesiones causadas por piezas propulsadas por el resorte.
- 4) Para evitar que la herramienta arranque la pieza de trabajo de las manos, que salga despedida o la herramienta la haga girar o se rompa, siempre sujetar la pieza de trabajo adecuadamente como sigue:
  - a) Siempre colocar MATERIAL DE APOYO (usado bajo la pieza de trabajo) de tal manera que se apoye en el lado izquierdo de la columna, o usar la guía provista y un sujetador para sostener las piezas pequeñas.
  - b) Siempre que sea posible, colocar LA PIEZA DE TRABAJO de tal manera que haga contacto con la parte izquierda de la columna. Si fuese muy corta o si la mesa estuviese inclinada, usar la guía provista o sujetarla en forma segura a la mesa, usando las ranuras.
  - c) Cuando se use una prensa sujetadora para taladro, siempre asegurarla a la mesa.
  - d) Nunca trabajar sosteniendo la pieza que se taladra sólo con la mano y sin sujetarla a la mesa, excepto al pulir.
  - e) Fijar el cabezal en forma segura y el soporte a la columna, el brazo de la mesa al soporte y la mesa al brazo de la mesa antes de operar la Prensa Taladradora.
  - f) Nunca mover el cabezal ni la mesa mientras la herramienta esté en operación.
  - g) Antes de iniciar la operación, operar el motor en forma lenta para asegurarse que ni la broca ni las demás herramientas cortantes se bamboleen o vibren.
  - h) Si una pieza de trabajo sobresale de la mesa de tal manera que caiga o se incline si no se sostiene, sujetarla a la mesa o proveer un soporte auxiliar.
  - i) Para sostener la pieza de trabajo en forma adecuada en operaciones inusuales, usar sujetadores especiales.

- j) Usar la VELOCIDAD DE EJE recomendada para la operación específica y material a taladrar. Referirse al panel en la parte interior de la cubierta de las poleas o a la tabla que se indica a continuación para obtener información sobre las velocidades de perforación. Para obtener información sobre los accesorios, referirse a las instrucciones provistas con cada accesorio.
- 5) Nunca subirse a la mesa de la Prensa Taladradora, podría romperse o hacer que la herramienta caiga sobre uno mismo.
- 6) Colocar el interruptor del motor en "OFF" (Apagado) y guardar la llave del interruptor cuando se deje la Prensa Taladradora.
- 7) Para evitar lesiones debido a piezas arrojadas o contacto con la herramienta, no realizar labores de trazado, ensamblaje ni preparación sobre la mesa cuando la herramienta esté en operación.

**TABLA DE VELOCIDADES PARA TALADRAR (rpm)**

Díam. de la Broca (Pulg.)	Material				
	Madera	Aluminio	Plástico	Acero Blando	Acero Inoxidable
1/32	3100	3100	3100	3100	3100
1/16					1620 2620
1/8				1620 2620	990 1550
3/16				990 1550	600 650
1/4		1620 2620	1620 2620		
5/16				600 650	340 510
3/8		990 1550	990 1550		
7/16	1620 2620			340 510	250
1/2		600 650	600 650		
9/16					
5/8					

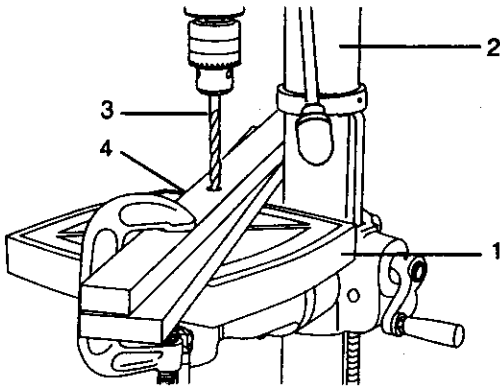
## POSICIONAMIENTO DE LA MESA Y PIEZA DE TRABAJO (FIG. Y, Z)

1. Asegurar la mesa (1) a la columna (2) en una posición tal que la punta de la broca (3) quede justo sobre la pieza de trabajo (4).
2. SIEMPRE colocar un MATERIAL DE APOYO (madera de desecho) entre la mesa y la pieza de trabajo. Esto evitará que la pieza de trabajo se raje o se astille en el lado de abajo. Para evitar que el material de apoyo gire descontroladamente, DEBE quedar apoyado contra el lado IZQUIERDO de la columna.

### ⚠ ADVERTENCIA

Para evitar que la pieza de trabajo o el material de apoyo sean arrancados de las manos del operador al taladrar, se DEBE apoyar contra el lado IZQUIERDO de la columna. Si la pieza de trabajo o el material de apoyo no son suficientemente largos para alcanzar la columna, usar la guía provista con la Prensa Taladradora para sujetar la pieza de trabajo, o fijarla a la mesa con sujetadores. Omitir esto puede causar lesiones personales.

Fig. Y

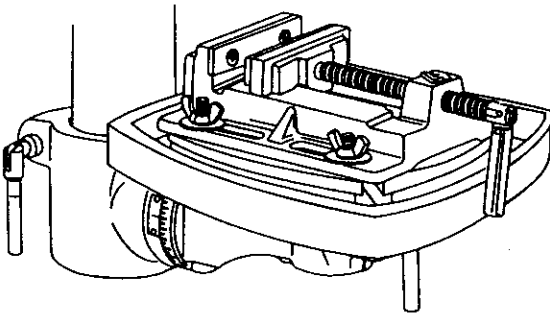


3. Para piezas pequeñas que no se puedan fijar a la mesa con sujetadores, usar una prensa para taladro (accesorio opcional).

### ⚠ ADVERTENCIA

La prensa para taladro DEBE sujetarse o empernarse a la mesa para evitar que la pieza de trabajo gire y cause lesiones al operador o daños a la prensa o a la broca. Retirar la guía cuando interfiera con los otros accesorios de la Prensa Taladradora.

Fig. Z



## PARA MANTENER LA BROCA EN LA POSICIÓN DE LA PERFORACIÓN

1. Usando un centro punzón o clavo puntiagudo, punzar la pieza de trabajo en el lugar donde se desea hacer el orificio.
2. Antes de hacer funcionar el taladro, usar las manijas de avance para hacer que el taladro baje hasta que se alinee con la punzadura.

## INCLINACIÓN DE LA MESA (FIG. AA)

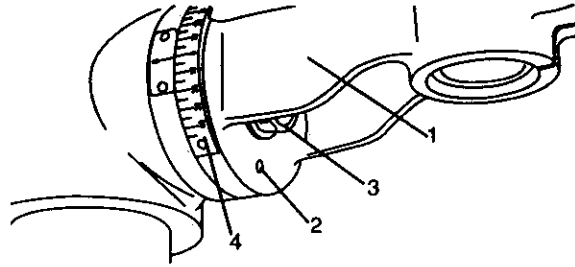
**NOTA:** El brazo y el soporte (1) de la mesa tienen un orificio ya perforado que trae un tornillo para fijar la mesa horizontalmente en la posición de 0°.

1. Para usar la mesa en posición inclinada, soltar el soporte de la mesa girando el perno de fijación (2) con una llave hexagonal contra el sentido del reloj (3).
2. Aflojar el perno hexagonal grande que sujeta la mesa en el ángulo de inclinación.

### ⚠ ADVERTENCIA

Para evitar lesiones, cerciorarse de sujetar el conjunto del brazo y la mesa de modo tal que no gire ni se incline.

Fig. AA



3. Inclinación de la mesa, alineando la medida del ángulo deseado con la línea del "cero" en la escala opuesta (4). Ajustar el perno de fijación.
4. Para regresar la mesa a su posición original, aflojar el perno (3) de fijación del ángulo de inclinación. Volver a alinear la escala del ángulo de inclinación (4) a la posición de 0°.
5. Usando una llave hexagonal, girar el perno de fijación (2) en el sentido del reloj para que se asiente en el orificio.

### ⚠ ADVERTENCIA

Para evitar que la pieza de trabajo gire y cause lesiones o rompa la broca, siempre fijar la pieza de trabajo y el material de apoyo a la mesa con sujetadores antes de hacer funcionar la Prensa Taladradora con la mesa inclinada.

## AVANCE

1. Bajar las manijas de avance sólo con la fuerza suficiente para permitir que la broca perfora.
2. Avanzar en forma demasiado lenta puede quemar la broca. Avanzar en forma demasiado rápida, puede hacer que el motor se detenga haciendo que las correas o la broca resbalen o que la pieza de trabajo se suelte y rompa la broca.
3. Cuando se perfora en metal, puede ser necesario lubricar la punta de la broca con aceite para motor para evitar que se queme.

## MANTENIMIENTO DE LA PRENSA TALADRADORA

### ▲ ADVERTENCIA

Por su propia seguridad colocar el interruptor en la posición "OFF" (Apagado) y desconectar el enchufe del tomacorriente antes de darle mantenimiento o lubricar la Prensa Taladradora.

Eliminar con frecuencia el polvo que se acumula dentro del motor soprándole aire con un compresor o aspirándolo.

La aplicación de una capa de cera automotriz en pasta a la mesa y a la columna ayudará a mantener las superficies limpias.

### ▲ ADVERTENCIA

Para evitar los riesgos de choque eléctrico o incendio, si el cordón eléctrico estuviese gastado o cortado, repararlo o cambiarlo de inmediato.

## LUBRICACIÓN

Todos los cojinetes de bolas de la Prensa Taladradora vienen rellenos de grasa desde la fábrica. No requieren lubricación adicional.

Lubricar periódicamente los engranajes y la cremallera, el mecanismo de elevación de la mesa, el eje del taladro y las mandíbulas de su mortaja.

# DIAGNÓSTICO DE PROBLEMAS

## GUÍA PARA DIAGNÓSTICO DE PROBLEMAS

### ▲ ADVERTENCIA

Para evitar lesiones ocasionadas por un arranque accidental, mover el interruptor a la posición de "OFF" (Apagado) y desconectar el cordón de suministro del toma corriente antes de hacer cualquier regulación.

- Consultar al Centro de Servicio Sears local si el motor no arrancase por cualquier motivo.

PROBLEMA	CAUSA PROBABLE	SOLUCIÓN
Operación ruidosa.	<ol style="list-style-type: none"> <li>1. Tensión incorrecta de la correa.</li> <li>2. Eje seco.</li> <li>3. Polea del eje floja.</li> <li>4. Polea del motor suelta.</li> </ol>	<ol style="list-style-type: none"> <li>1. Regular la tensión. Ver la sección "ENSAMBLAJE - TENSIÓN DE LA CORREA".</li> <li>2. Lubricar el eje. Ver la sección "LUBRICACIÓN".</li> <li>3. Asegurarse que la tuerca de retención de la polea esté ajustada y ajustarla si fuese necesario.</li> <li>4. Ajustar el perno de fijación de la polea del motor.</li> </ol>
La broca se quema.	<ol style="list-style-type: none"> <li>1. Velocidad incorrecta.</li> <li>2. Las astillas no salen del orificio.</li> <li>3. Broca sin filo.</li> <li>4. La broca se está avanzando muy lentamente.</li> <li>5. Falta lubricación.</li> </ol>	<ol style="list-style-type: none"> <li>1. Cambiar la velocidad. Ver la sección "OPERACIÓN BÁSICA DE LA PRENSA TALADRADORA - VELOCIDADES DEL EJE".</li> <li>2. Elevar la broca con frecuencia para eliminar las astillas.</li> <li>3. Afilar la broca.</li> <li>4. Avanzar la broca más rápido - permitir que la broca perforo.</li> <li>5. Lubricar el taladro. Ver la sección "OPERACIÓN BÁSICA DE LA PRENSA TALADRADORA".</li> </ol>
Se gasta la punta de la broca, el orificio redondo.	<ol style="list-style-type: none"> <li>1. Hebra dura en la madera o los álabes de la broca y/o los ángulos no son iguales.</li> <li>2. Broca doblada.</li> </ol>	<ol style="list-style-type: none"> <li>1. Volver a afilar la broca en forma correcta.</li> <li>2. Broca doblada.</li> </ol>
La madera se astilla por abajo	<ol style="list-style-type: none"> <li>1. No hay madera de apoyo bajo la pieza.</li> </ol>	<ol style="list-style-type: none"> <li>1. Usar material de apoyo. Ver la sección "OPERACIÓN BÁSICA DE LA PRENSA TALADRADORA".</li> </ol>
La pieza se suelta de la mano.	<ol style="list-style-type: none"> <li>1. No está debidamente sujeta.</li> </ol>	<ol style="list-style-type: none"> <li>1. Fijar la pieza de trabajo con un sujetador. Ver la sección "OPERACIÓN BÁSICA DE LA PRENSA TALADRADORA".</li> </ol>
La broca se atraca en la madera.	<ol style="list-style-type: none"> <li>1. La pieza está apretando la broca o la presión de alimentación es excesiva.</li> <li>2. Tensión inapropiada de la correa.</li> </ol>	<ol style="list-style-type: none"> <li>1. Fijar la pieza a taladrar con un sujetador. Ver la sección "OPERACIÓN BÁSICA DE LA PRENSA TALADRADORA".</li> <li>2. Regular la tensión. Ver la sección "ENSAMBLAJE - TENSIÓN DE LA CORREA".</li> </ol>
La broca se gasta en forma excesiva o se bambolea.	<ol style="list-style-type: none"> <li>1. Broca doblada.</li> <li>2. Cojinetes gastados.</li> <li>3. La broca no está debidamente instalada en el mandril.</li> <li>4. El mandril no está debidamente instalado.</li> </ol>	<ol style="list-style-type: none"> <li>1. Usar una broca que esté derecha.</li> <li>2. Reemplazar los cojinetes.</li> <li>3. Instalar la broca debidamente. Ver la sección "OPERACIÓN BÁSICA DE LA PRENSA TALADRADORA".</li> <li>4. Instalar el mandril debidamente. Ver la sección "ENSAMBLAJE - INSTALACIÓN DEL MANDRIL".</li> </ol>
La mortaja se regresa muy despacio o muy rápido.	<ol style="list-style-type: none"> <li>1. La tensión del resorte es inadecuada.</li> </ol>	<ol style="list-style-type: none"> <li>1. Regular la tensión. Ver la sección "ENSAMBLAJE - REGULACIÓN DEL RESORTE DE RETORNO DE LA MORTAJA".</li> </ol>
El mandril no se mantiene unido al vástago. Se sale al tratar de instalarlo.	<ol style="list-style-type: none"> <li>1. Tierra, grasa o aceite en la superficie interior ahusada del mandril o en la superficie ahusada del eje.</li> </ol>	<ol style="list-style-type: none"> <li>1. Limpiar las superficies ahusadas del mandril y del eje con detergente doméstico para eliminar la tierra, grasa y aceite. Ver la sección "ENSAMBLAJE - INSTALACIÓN DEL MANDRIL".</li> </ol>

# PARTES

## LISTA DE PARTES DE LA PRENSA TALADRADORA DE 15"

**MODELO NO. 137.229151**

### ▲ ADVERTENCIA

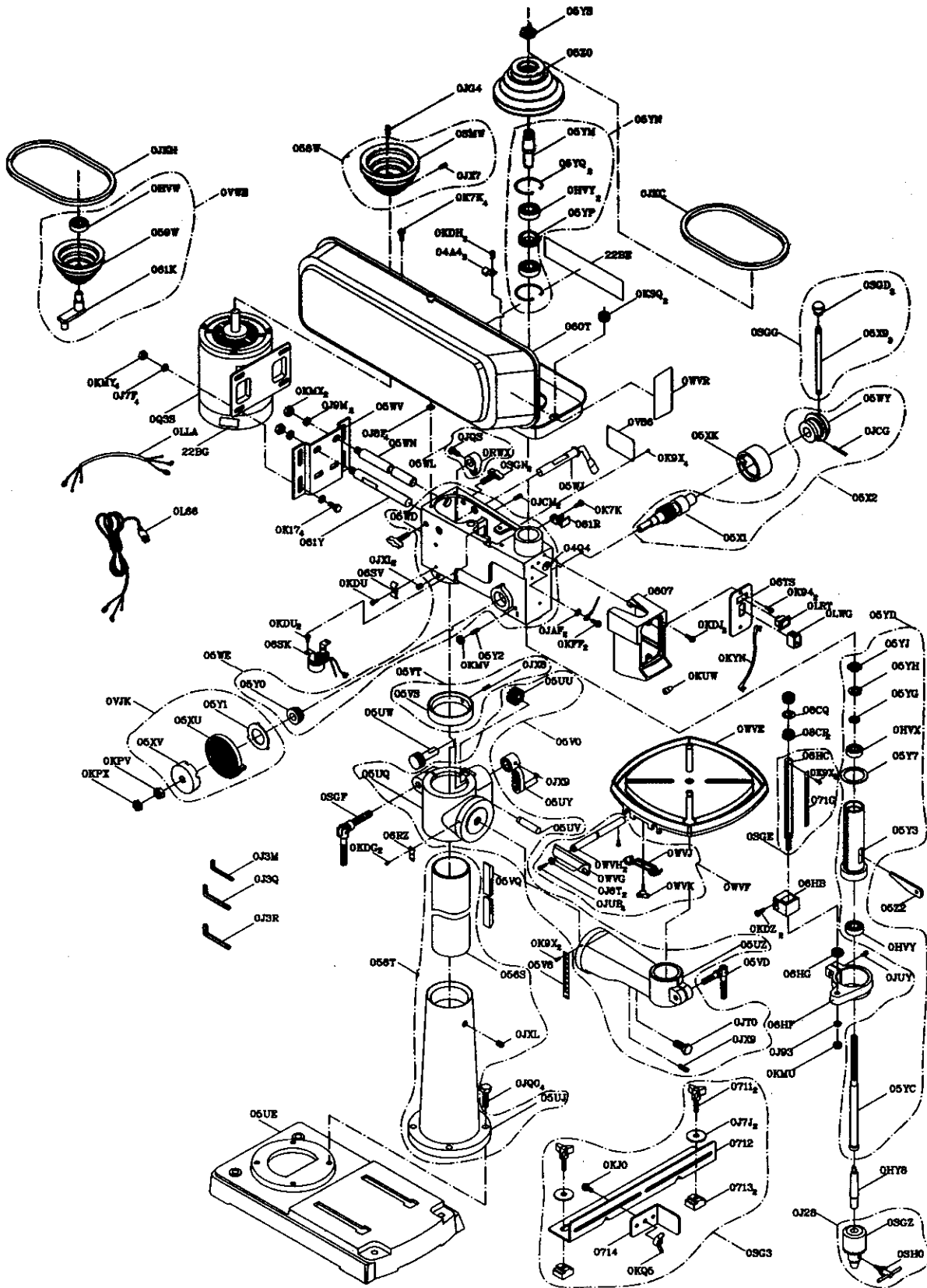
Al darle servicio a la máquina, sólo usar de repuestos CRAFTSMAN. El uso de cualquier otro repuesto puede crear RIESGOS o dañar la herramienta.

### ▲ ADVERTENCIA

Cualquier intento de reparar o reemplazar las piezas eléctricas de esta Prensa Taladradora puede crear RIESGOS a menos que la reparación la haga un técnico calificado de servicio. Se dispone de servicio de reparación en el centro de Servicio de Sears más cercano.

Siempre ordenar dando el NÚMERO DE PARTE no el número en el diagrama.

No. Diag.	Descripción	Tamaño	Cantidad	No. Diag.	Descripción	Tamaño	Cantidad
05UE	Base		1	0607	Caja del interruptor		1
056T	Columna ass'y		1	060J	Perno	M5*0.8-12	3
0JQ0	Perno de cabeza hexagonal	M10*1.5-40	4	060T	Tapa de las poleas		1
05UW	Gusano		1	0VME	Polea central		1
05UY	Conjunto de la manivela		1	0JKH	Correa - V	M-26	1
05V0	Soporte del brazo de la mesa		1	0J8F	Arandela plana	1/4*3/4-3/16	4
05V8	Escala de inclinación		1	0KPY	Tuerca hexagonal	1/2*20UNF	1
06RZ	Escala de centrado		1	04A4	Sujetador del cordón		3
0K9X	Perno	φ2.3-5	2	0KDH	Perno	M5*0.8-8	3
05GF	Manija del seguro de la columna	M12*1.75-35	1	061R	Sujetador de la llave del mandril		1
05VD	Manija del seguro de la mesa	M10*1.5	1	0K7K	Perno	M6*1.0-12	5
0VVE	Mesa		1	0JKC	Correa - V	M-24	1
05VQ	Cremallera		1	06TS	Tapa de interruptor		1
05VT	Anillo de la cremallera		1	0K94	Tornillo autoenroscante	M5*12-16	2
05VE	Cabezal ass'y		1	061Y	Varilla del motor		1
0JXL	Perno prisionero hexagonal	M10*1.5-12	2	0JCM	Clavija del resorte	6-25	2
0KDG	Perno	M5*0.8-8	2	0V86	Rótulo de advertencia		1
05WJ	Cambiador de la manija		1	22BG	Motor Rótulo		1
05WL	Cambiador de la barra del motor		1	22BE	Velocidades para taladra		1
05WN	Eje del motor		1	0WVR	Rótulo		1
05GN	Perno del cambiador		2	0K9X	Perno	φ 2.3-5	4
05WV	Base del motor		1	05G3	Soporte paralelo		1
0J9M	Arandela del resorte	φ1/2	2	0710	Perilla de seguro	M8*1.25	2
0KMX	Tuerca hexagonal	M12*1.75 T=10	2	0J7J	Arandela plana	3/8*1 5/32-7/64	2
05X2	Eje del mecanismo de avance		1	0712	Soporte paralelo		1
05GG	Vástago de la manija ass'y		1	0713	Placa deslizante		2
05XK	Anillo		1	0KJ0	Perno	M6*1.0-16	1
0VJK	Tapa del resorte		1	0714	Placa		1
05Y1	Retén del resorte		1	0KQ5	Tuerca mariposa	M6X1.0	1
0KPV	Tuerca hexagonal	1/2*20UNF T=10	1	0KFF	perno	M5*0.8-8	2
05Y2	Perno de fijación de la mortaja	M10*1.5-28	1	0JAF	Arandela de fijación dentada	φ 5	2
0KMV	Tuerca hexagonal	M10*1.5 T=8	1	0KZD	Perno	M6*1.0-35	2
05YD	Eje		1	06HB	Casco de émbolo		1
05YN	Manga del propulsor		1	0KMU	Tuerca hexagonal	M10*1.5 T=8	1
05YS	Tuerca de fijación de la polea		1	06CR	Tuerca	M16*2.0	2
05Z0	Polea de eje		1	06CQ	Arandela	φ 24 T=1/16	1
0HY8	Mortaja de taladro	MT2*JT3	1	0JUY	Perno	M8*1.25-35	1
0J28	Mandril & Llave de mandril		1	06HF	Anillo de sujeción		1
05GZ	Mandril	RJ3-16L	1	06HG	Tuerca circular		1
05H0	Llave de mandril		1	0J83	Arandela del resorte	φ 10	1
05Z2	Chaveta		1	0J3M	Llave hexagonal	3-57	1
0Q3S	Motor		1	0J3Q	Llave hexagonal	5-70	1
0K17	Perno y tuerca hexagonales	M8*1.25-20	4	0J3R	Llave hexagonal	6-83	1
0J7F	Arandela plana	5/16*7/8-5/64	4	0LRT	interruptor oscilante		1
0KMY	Tuerca hexagonal	M8*1.25 · T=8.5	4	0KYN	Cable conector		1
058R	Polea del motor		1	0KSQ	Ajivo de tensión		2
0JG4	Clavija	5*5-20	1	06SK	Porta foco		1
06SV	Sujetador de cordón		1	0SGE	Perno de fijación		1
0KDU	Perno	M6*1.0-12	3	04Q4	Rótulo de advertencia		1
0L66	Cordón eléctrico		1	0JUB	Perno Prisionero cab.hex	M5*0.8-12	4
0KUW	Terminal		1	0J6T	Arandela plana	3/16*3/14-1/16	2
0LWG	Interruptor ass'y		1	0WVG	Manija de fijación		1
				0WVH	Tubo Superior		2
				0WVK	Perno de fijación		1
				0WVJ	portaguia		1
				0J3P	Llave hexagonal	4-84	1



## **Your Home**

For repair – in your home – of all major brand appliances, lawn and garden equipment, or heating and cooling systems, **no matter who made it, no matter who sold it!**

For the replacement parts, accessories and Operator's Manuals that you need to do-it-yourself.

For Sears professional installation of home appliances and items like garage door openers and water heaters.

**1-800-4-MY-HOME®** (1-800-469-4663)

Call anytime, day or night (U.S.A. and Canada)

[www.sears.com](http://www.sears.com)    [www.sears.ca](http://www.sears.ca)

---

## **Our Home**

For repair of carry-in items like vacuums, lawn equipment, and electronics, call or go on-line for the location of your nearest **Sears Parts & Repair Center.**

**1-800-488-1222**

Call anytime, day or night (U.S.A. only)

[www.sears.com](http://www.sears.com)

---

To purchase a protection agreement (U.S.A)  
or maintenance agreement (Canada) on a product serviced by Sears:

**1-800-827-6655** (U.S.A.)

**1-800-361-6665** (Canada)

---

Para pedir servicio de reparación  
a domicilio, y para ordenar piezas:

**1-888-SU-HOGAR<sup>SM</sup>**

(1-888-784-6427)

Au Canada pour service en français:

**1-800-LE-FOYER<sup>MC</sup>**

(1-800-533-6937)

[www.sears.ca](http://www.sears.ca)

# **SEARS**

® Registered Trademark / ™ Trademark / <sup>SM</sup> Service Mark of Sears, Roebuck and Co.

® Marca Registrada / ™ Marca de Fábrica / <sup>SM</sup> Marca de Servicio de Sears, Roebuck and Co.

<sup>MC</sup> Marque de commerce / <sup>MD</sup> Marque déposée de Sears, Roebuck and Co.

© Sears, Roebuck and Co.