

Tech Design 8A

Types of Dimensioning

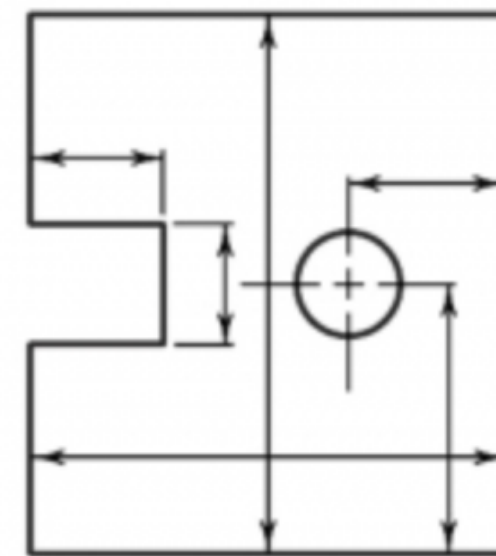
2022 April 26

Ms. Guidry

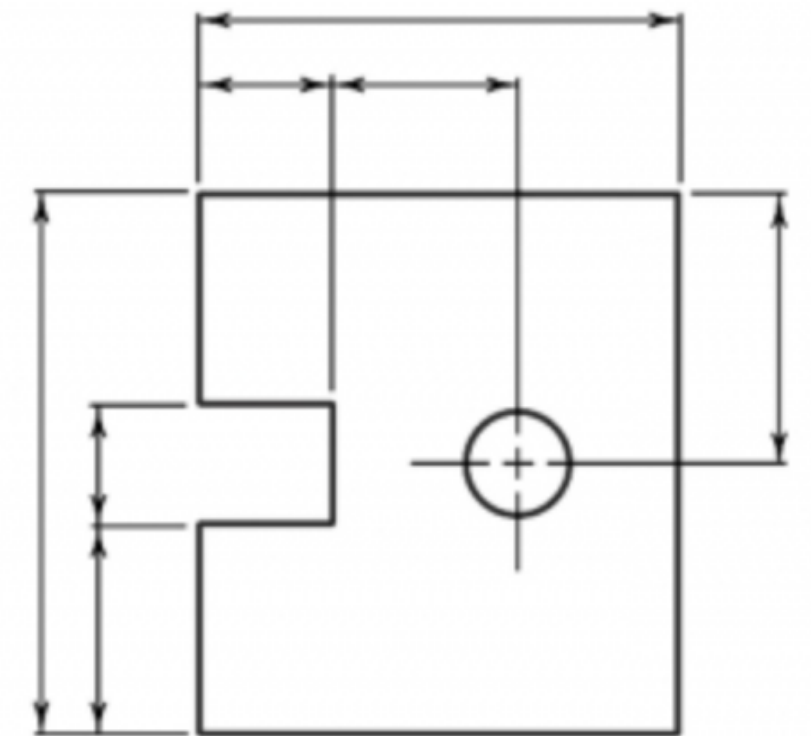
General Rules Review

- Show enough dimensions so that you won't assume any distances.
- State each dimension clearly, so it is understood in only one way.
- Show dimensions between points, lines, or surfaces that have a necessary relationship to each other or that control the location of other components.
- Select or arrange dimensions to avoid accumulations of dimensions that may cause unsatisfactory mating of parts. Build up method.
- Show each dimension only once. (Do not duplicate dimensions).

- Where possible, dimension each feature in the view where it appears most clearly, and where its true shape appears.
- Whenever possible, put dimensions to the right on bottom of window, 1cm high and 1/8cm for the following

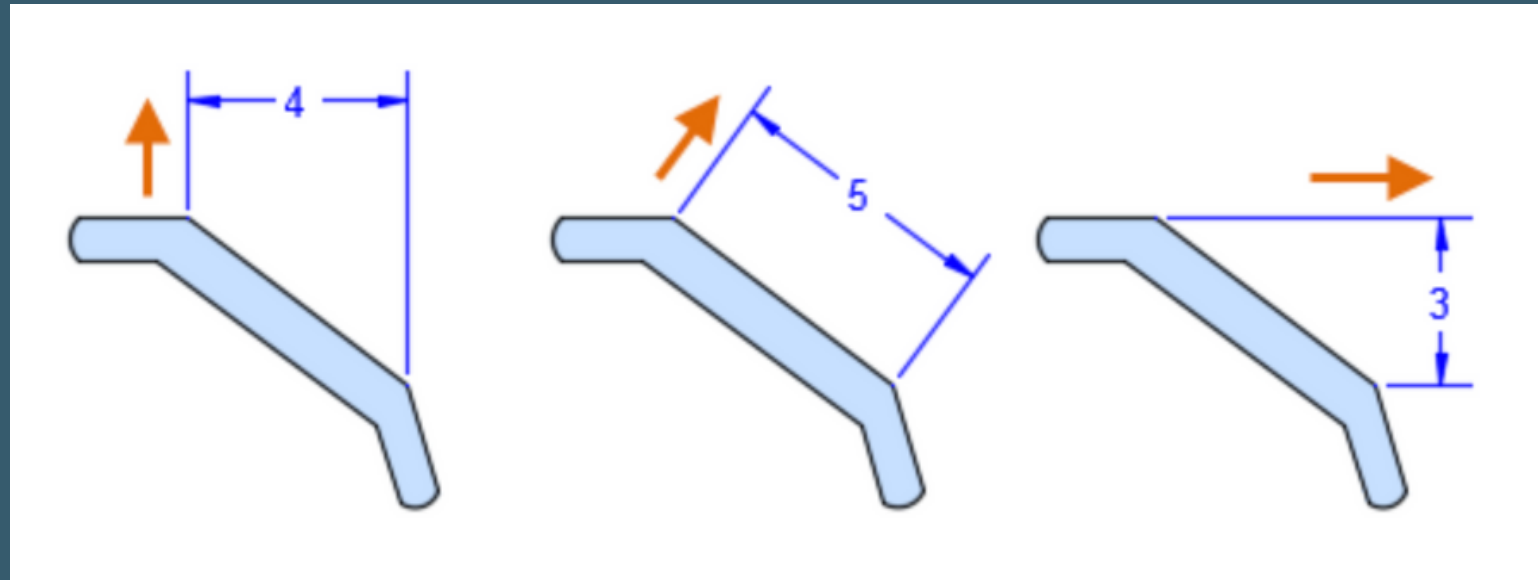


a. Avoid!

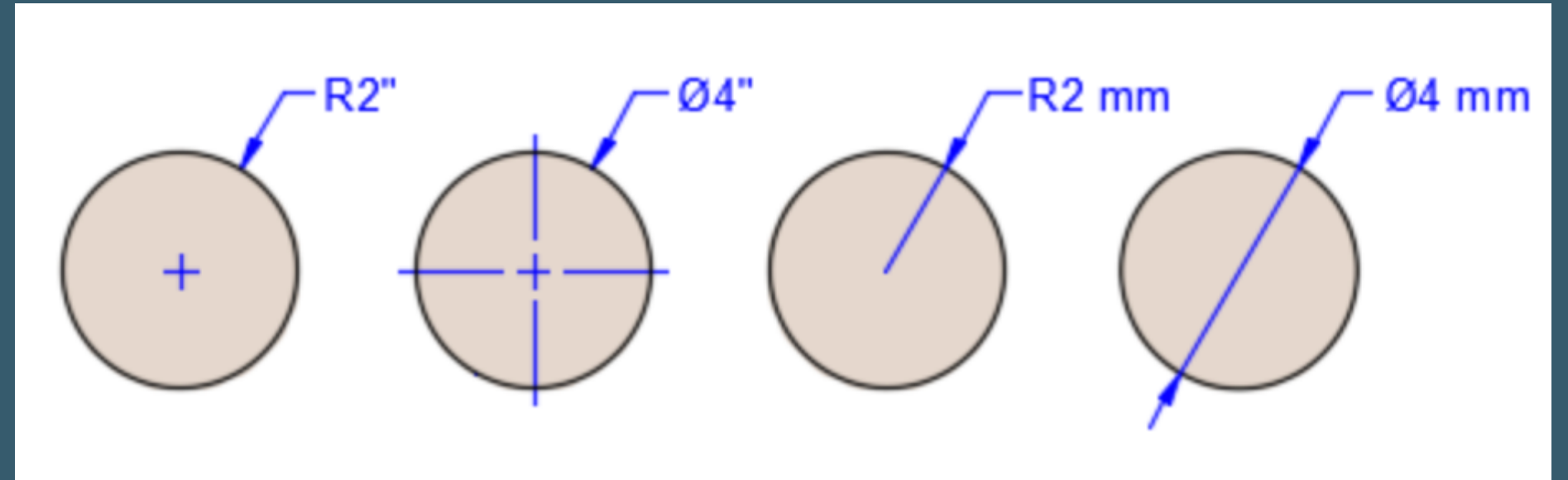


b. Acceptable

Types of Dimensioning

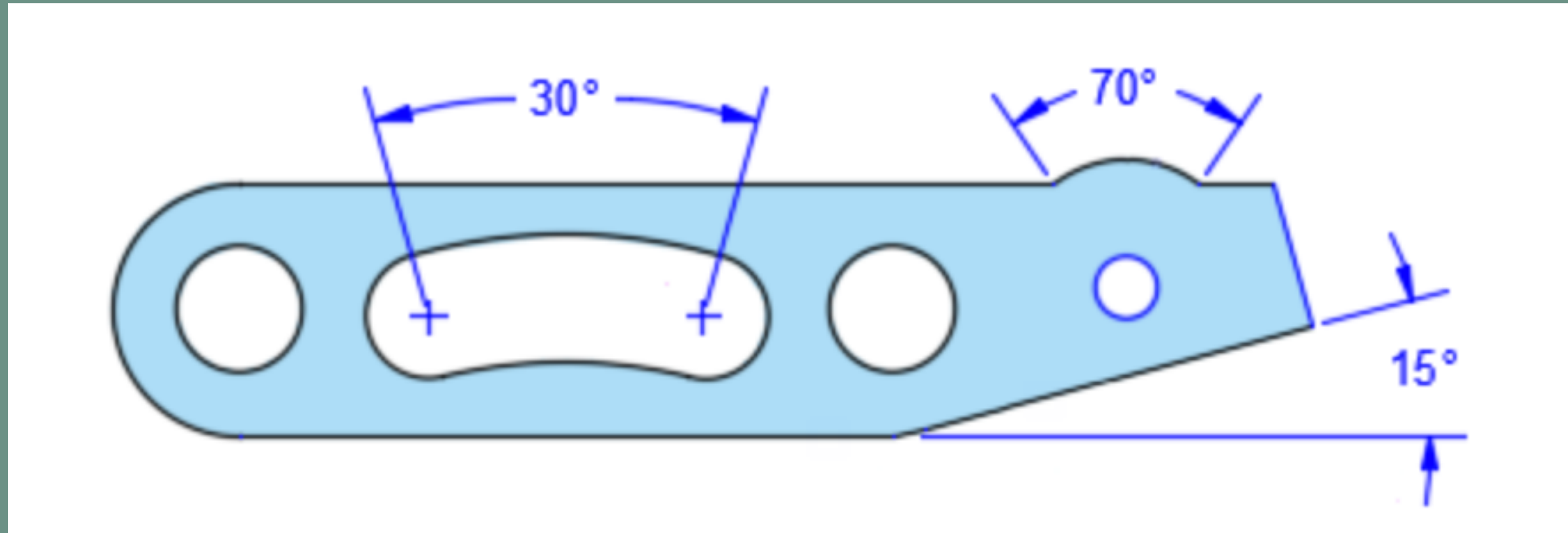


Linear

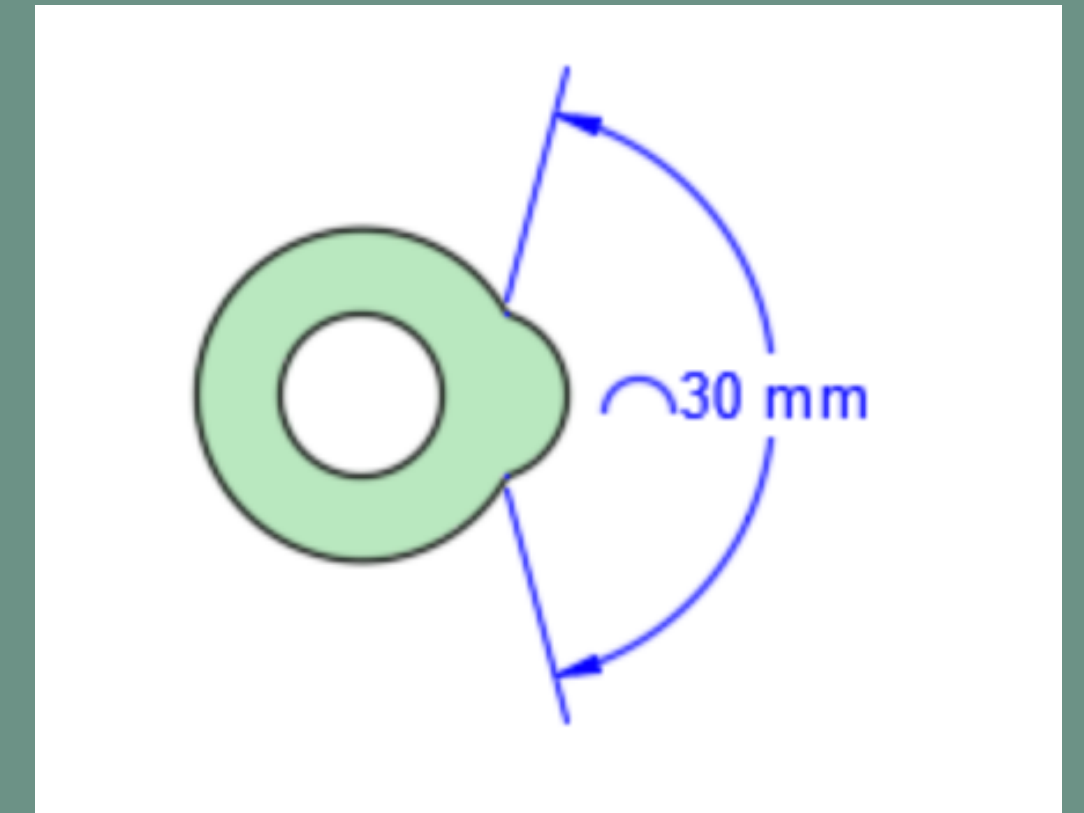


Radial

Types of Dimensioning



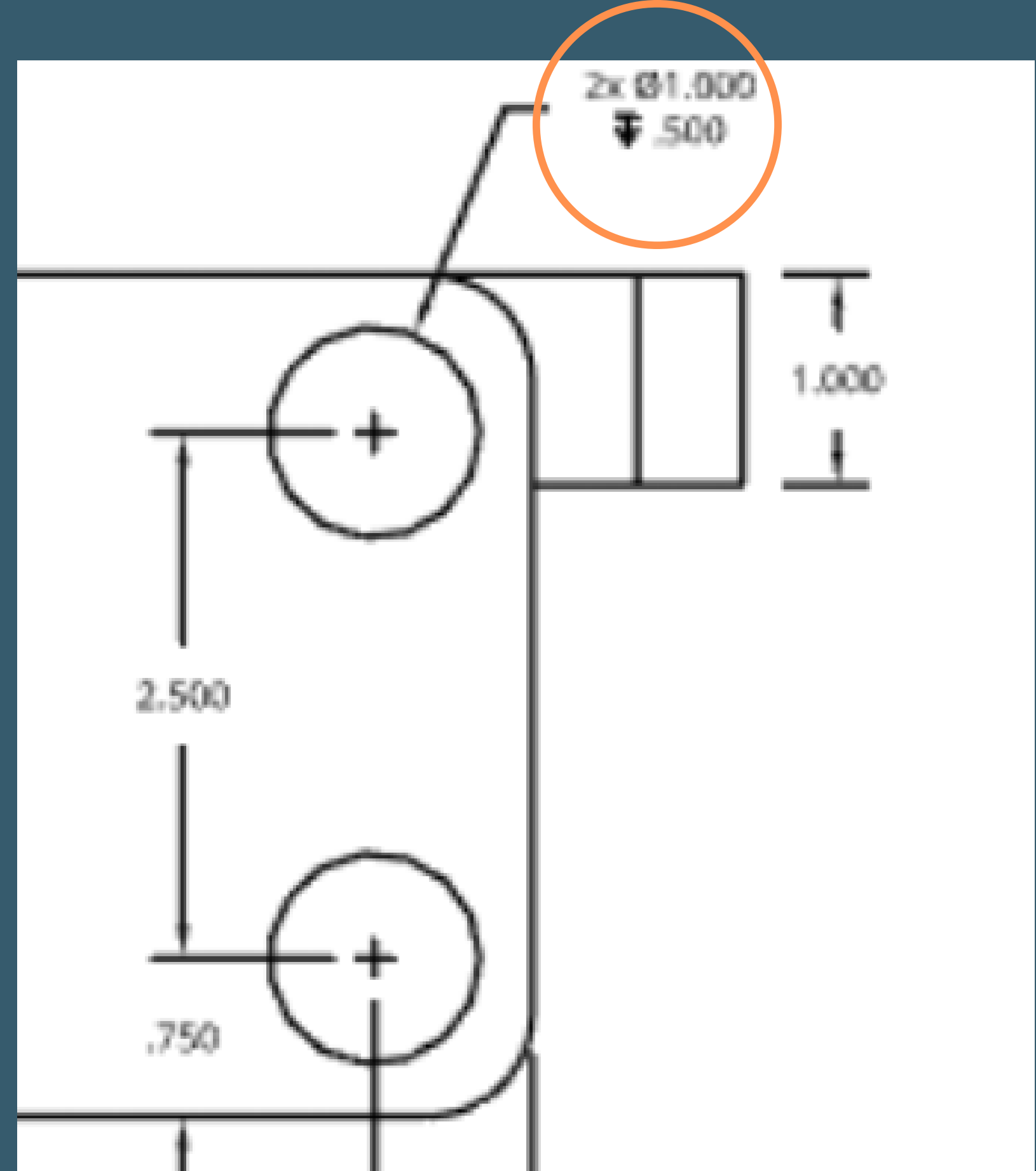
Angular



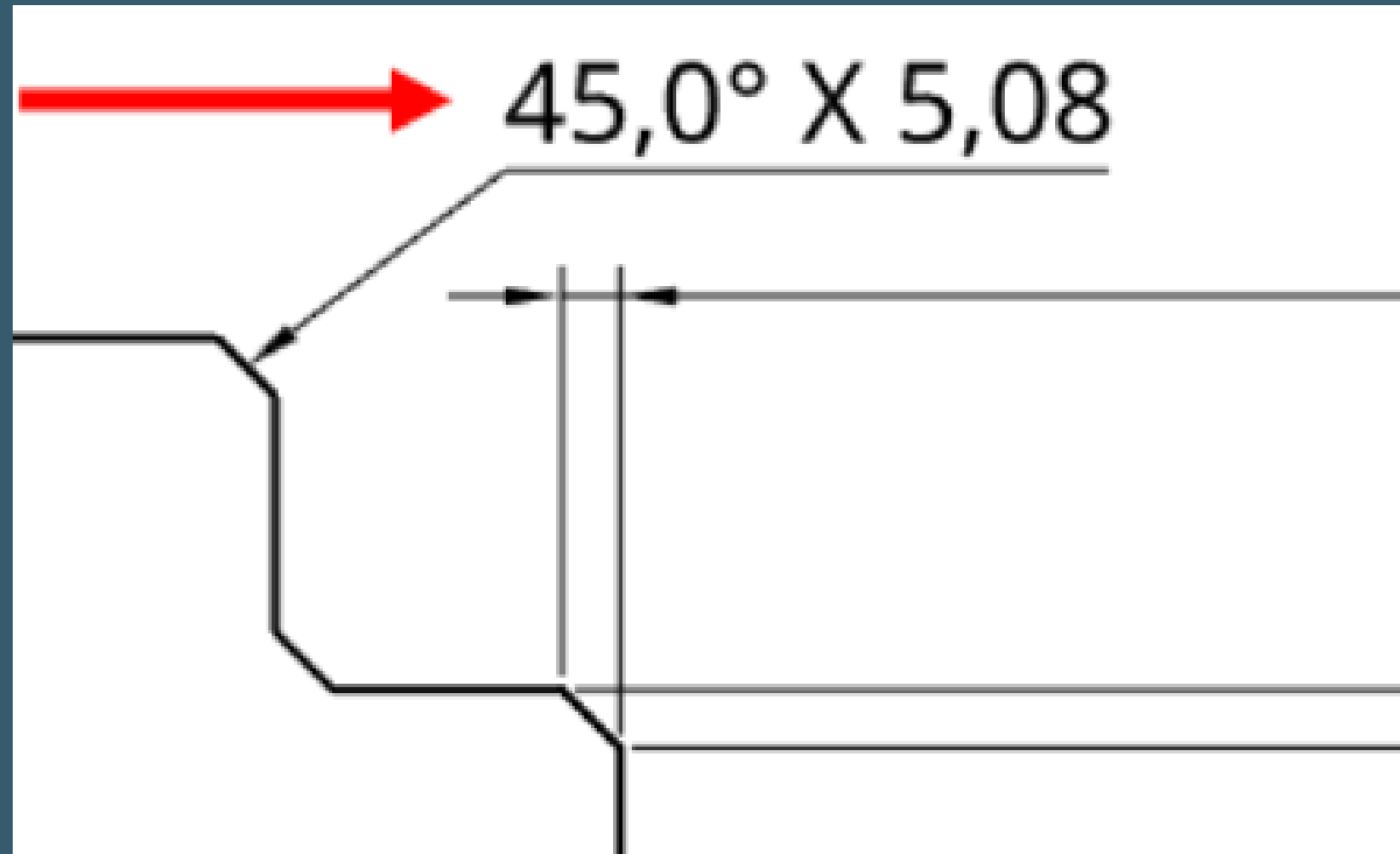
Arc Length

Types of Dimensioning

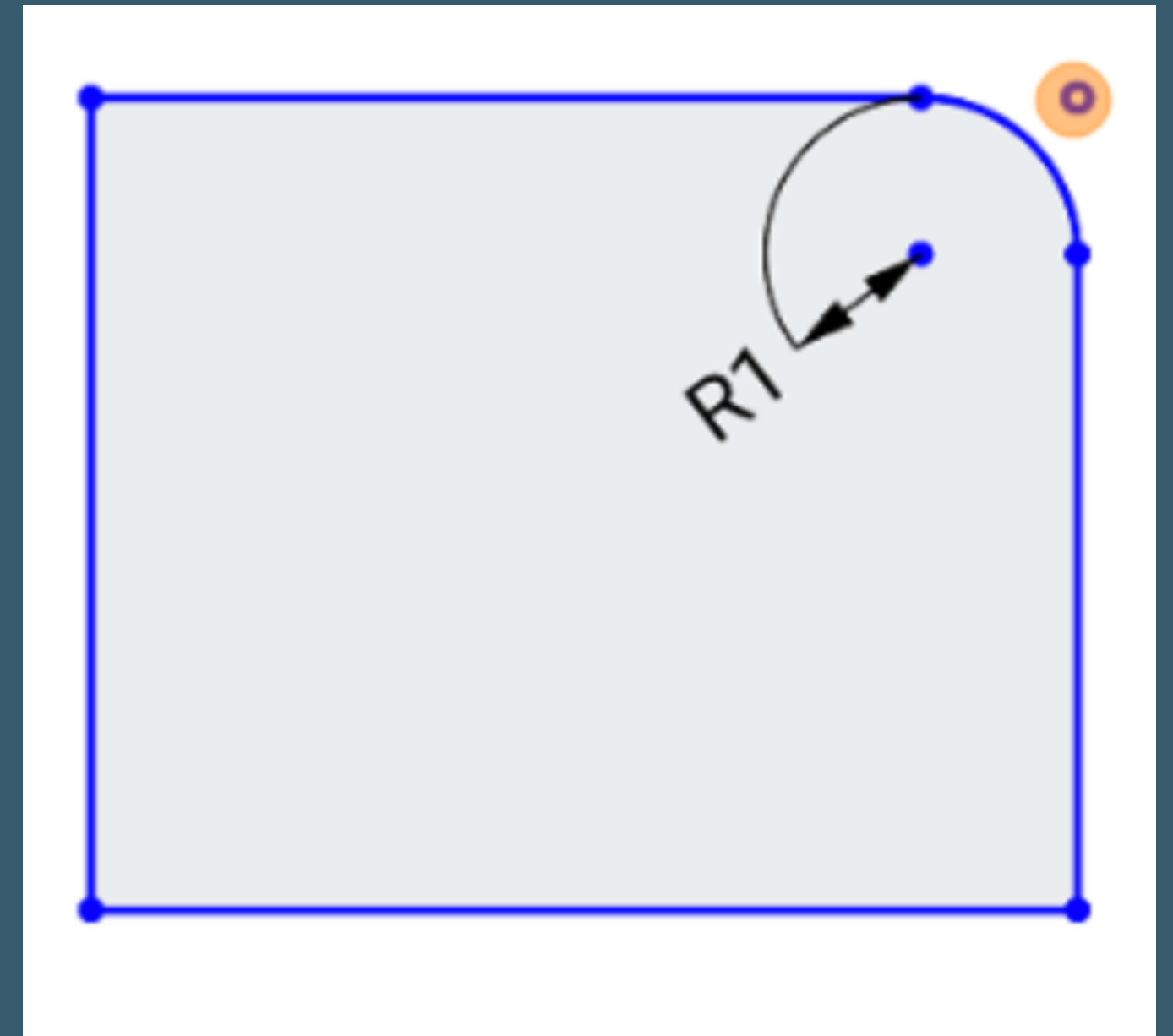
Repeating Elements



Types of Dimensioning

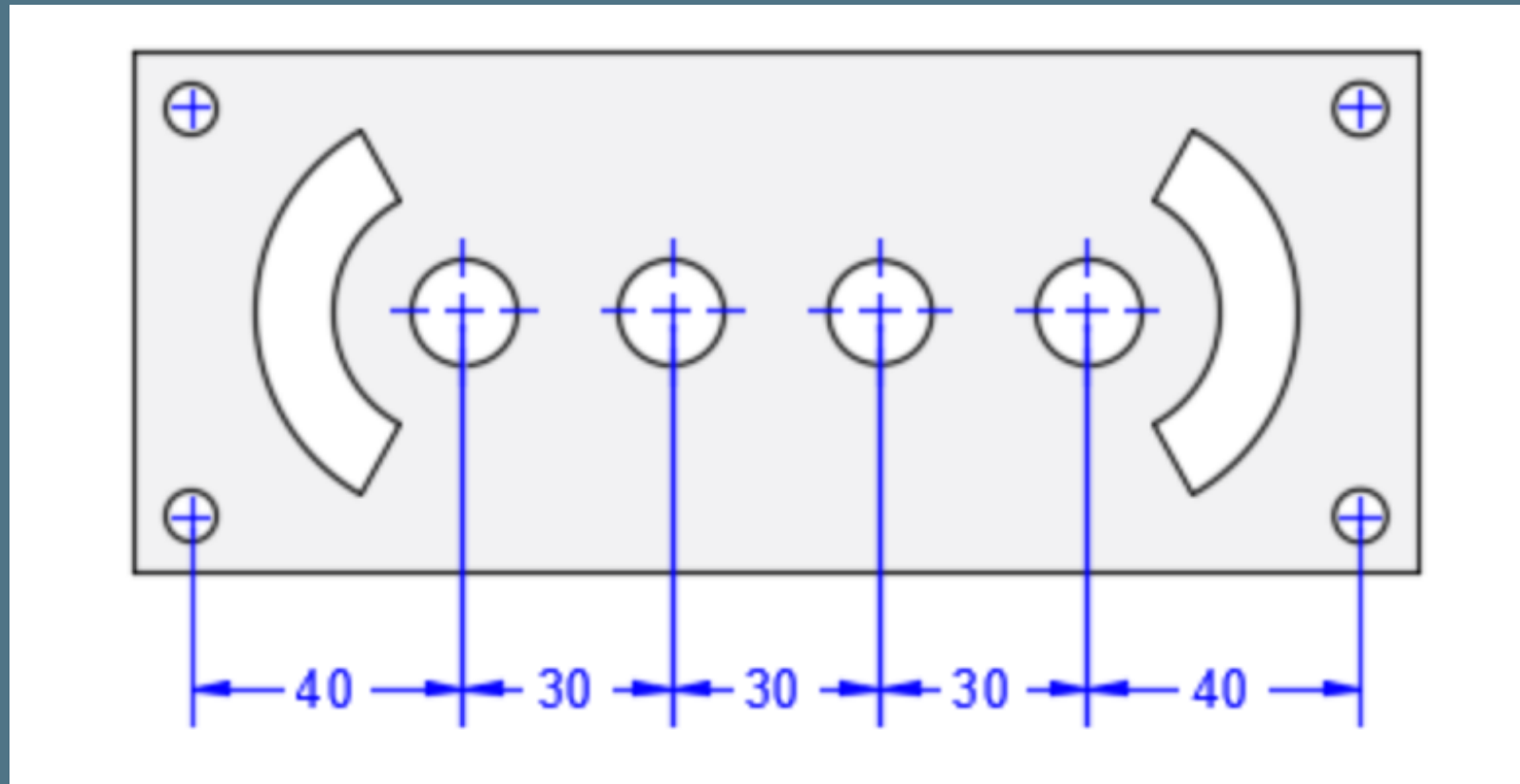


Chamfer

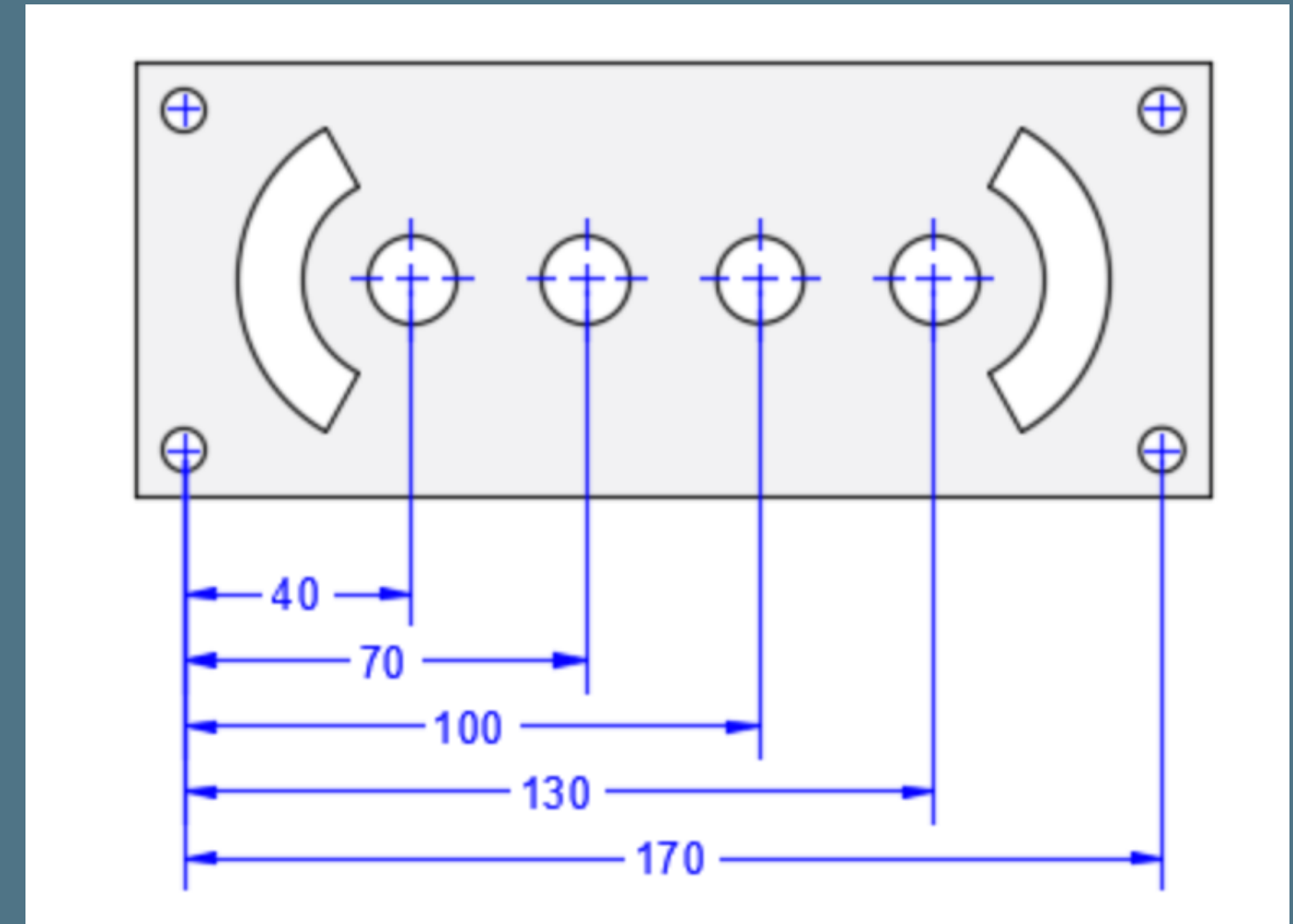


Fillet

Types of Dimensioning

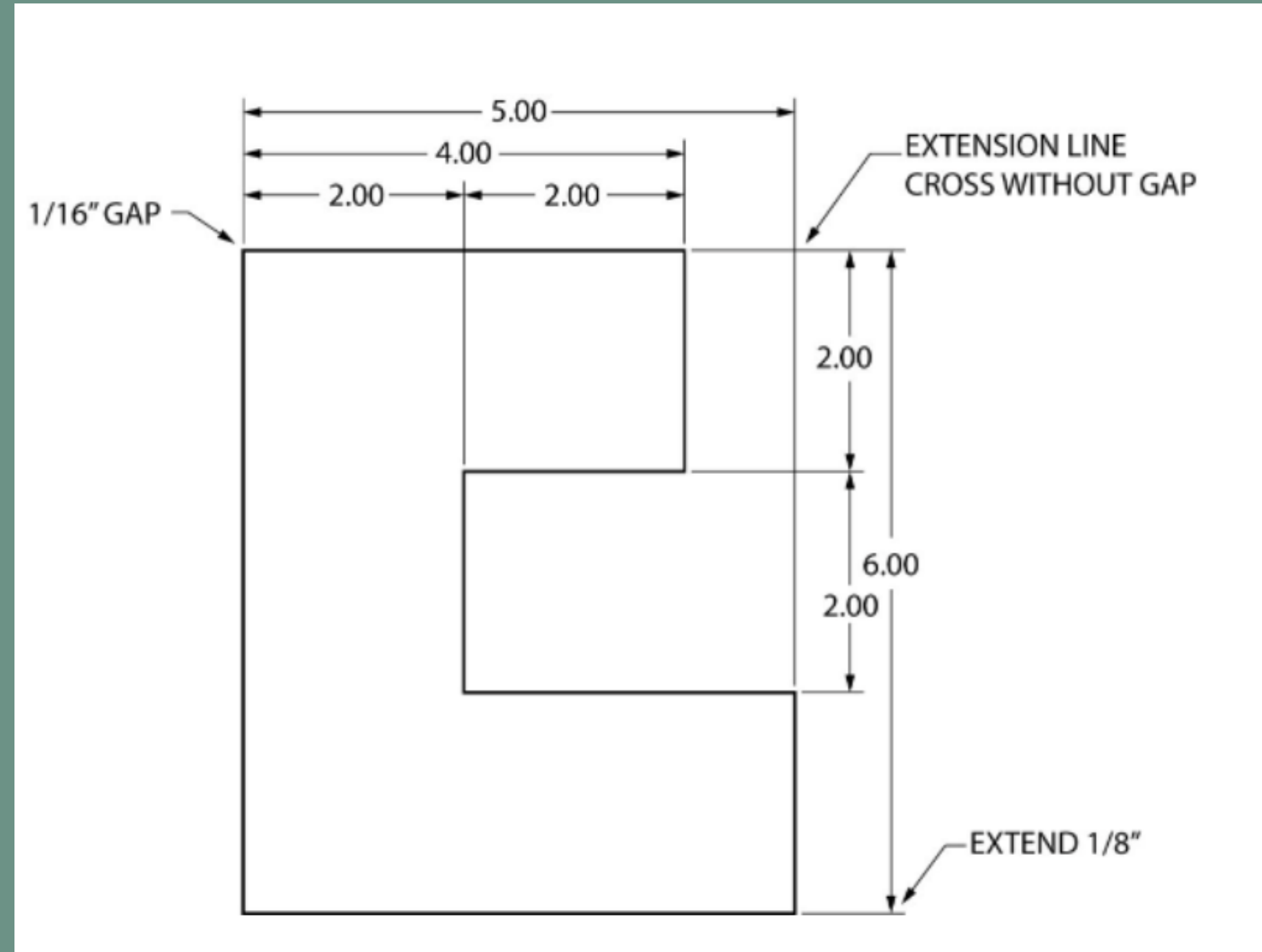


Continued



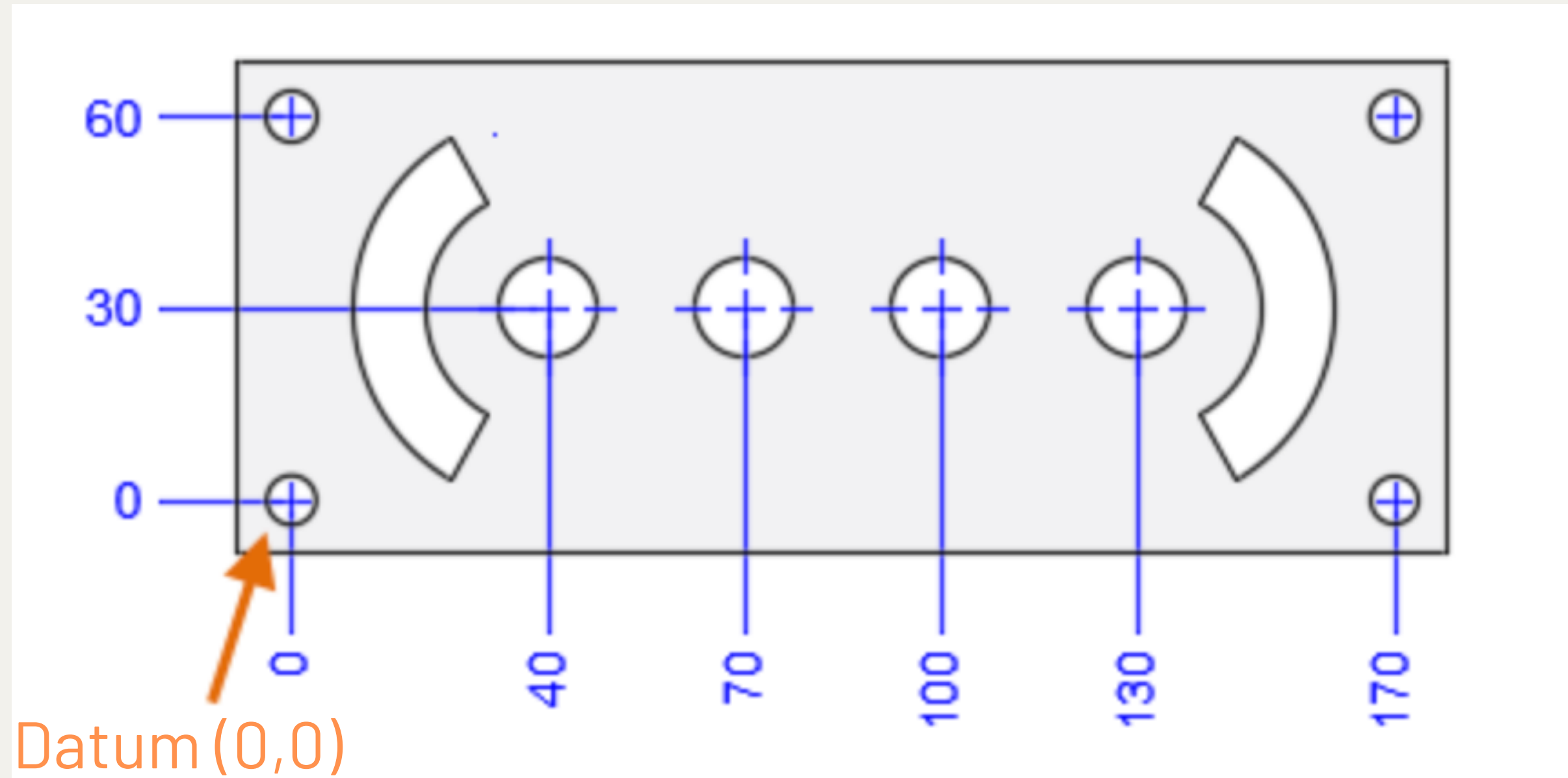
Baseline/ Chain

Types of Dimensioning



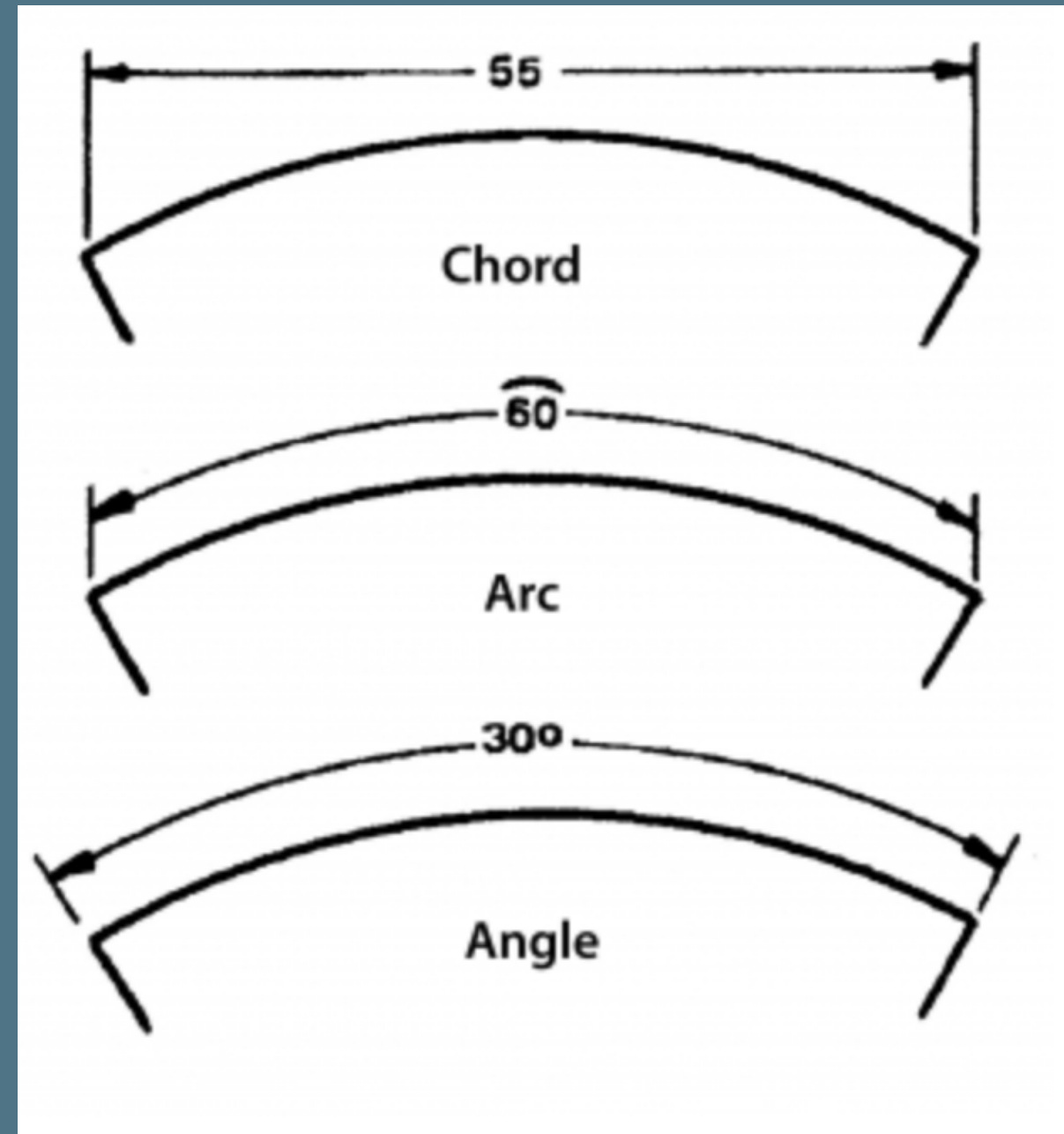
Continued Example 2

Types of Dimensioning



Ornate/ Arrowless

Types of Dimensioning



Chord, Arc, Angle