



Armoured Cable Box Terminations

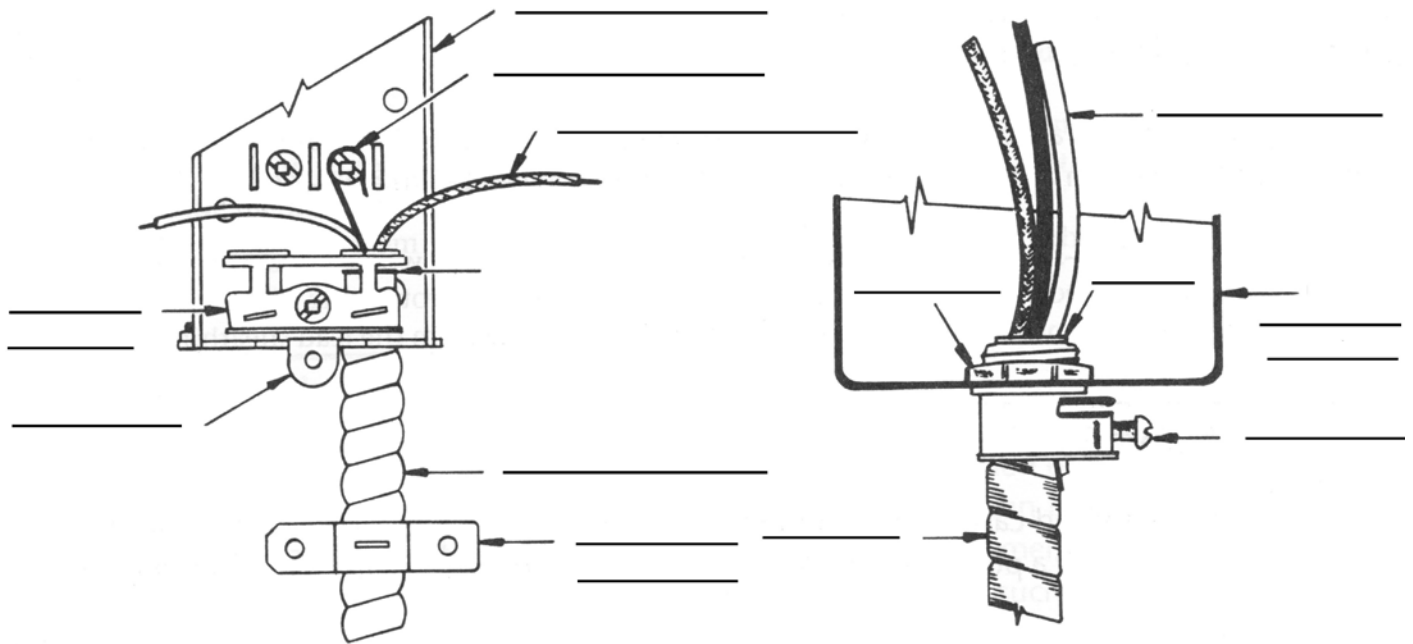
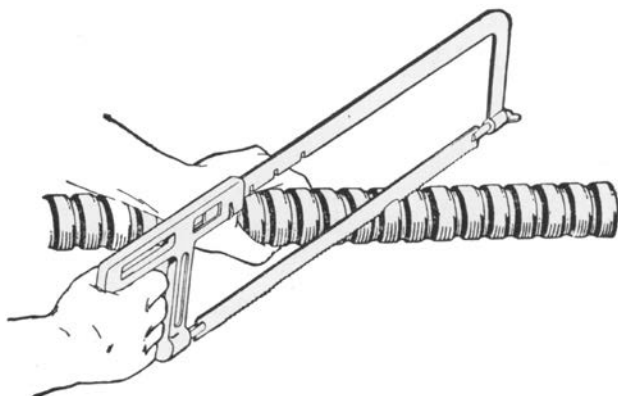


Figure 1: Armoured cable secured to a box by a built in clamp and also by an AC connector above.

Reference: *Hydro Code 12-710, and Applications of Electrical Construction, Chapter 11*

The above figure shows two methods of connecting armoured cable to a electrical box. It is very important that armoured cable is secured properly to the box in order to protect the wires from damage. There are a number of connectors that can be used including typical internal cable clamps, and straight connectors as above. The Code book has a section numbered in the 12-700-800 that supports all the Hydro rules that must be followed when working with armoured cable (note, Ontario 1990 version is actually 12-600). To prepare the armoured cable there are three main steps that must be followed:

Step 1





Construction Technology

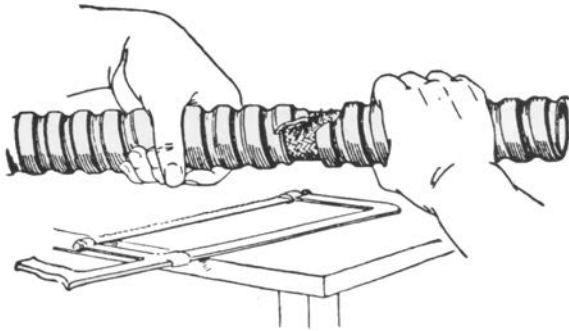
Western Technical-Commercial School

Name:

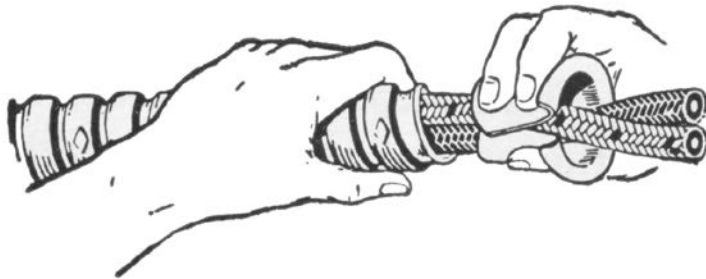
Date:

Section:

Step 2



Step 3



Review

1. Fill in the blanks for the first figure 1 showing all parts and requirements to be aware of when terminating armoured cable in different box types using different clamps.
2. For the above three illustrations fill in a descriptive explanation as to what is involved in each step to correctly and safely terminate an armoured cable.
3. Using the Code book find out if you can use aluminum armoured cable directly embedded in concrete. State rule number with answer.

-
-
4. When running armoured cable near heating ducts or hot water pipes what is the minimal distance between the cable and heat source item according to the Hydro Code. State rule # with answer.
 5. Once you have correctly written the necessary descriptive steps above and take a scrap piece of 14/2 armoured cable and cut 18" to use for your project. Prepare both ends leaving 6-7" of conductor on both ends, and get a peer assessment.
 6. Explain in your own words, the best way to make sure that the anti-short stays in place when being installed after you have experimented with the armoured cable project.